

Owners & Installation

Manual



IP28 GAS INBUILT



Models: IP28-NG
IP28-PROPANE
IP28-ULPG

PLEASE KEEP THESE INSTRUCTIONS FOR FUTURE REFERENCE

WARNING:

Improper installation, adjustment, alteration, service or maintenance can cause injury or property damage. Refer to this manual. For assistance or additional information consult an authorised installer, service agency or the gas supplier.

FOR YOUR SAFETY

Do not store or use gasoline or other flammable vapours and liquids in the vicinity of this or any other appliance.

Installation and service must be performed by an authorised installer, service agency or the gas supplier.

FOR YOUR SAFETY

What to do if you smell gas:

- Do not try to light any appliance
- Do not touch any electrical switch: do not use any phone in your building.
- Immediately call your gas supplier from a neighbour's phone. Follow the gas supplier's instructions.
- If you cannot reach your gas supplier, call the fire department.

LISTINGS AND CODE APPROVALS

These gas appliances have been tested in accordance with AS4553, NZS 5262 and have been certified by the Australian Gas Association for installation and operation as described in these Installation and Operating Instructions.

Your unit should be serviced annually by an authorised service person.

REGENCY GAS INBUILT FIREPLACE

TO THE NEW OWNER

Congratulations! You are the owner of a state-of-the-art Gas Inbuilt Fireplace by FPI. The Regency Gas Fireplace Series of appliances has been designed to provide you with all the warmth and charm of a fireplace, at the flick of a switch. The model IP28 of this series has been approved by Australian Gas Association for both safety and efficiency. As it also bears our own mark, it promises to provide you with economy, comfort and security for many trouble free years to follow. Please take a moment now to acquaint yourself with these instructions and the many features of your Regency Fireplace.



WARNING!

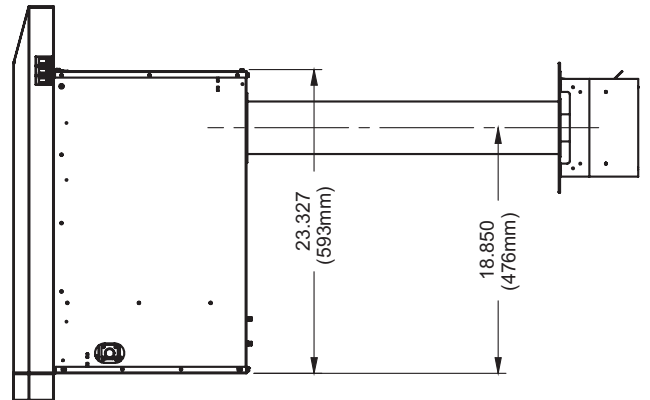
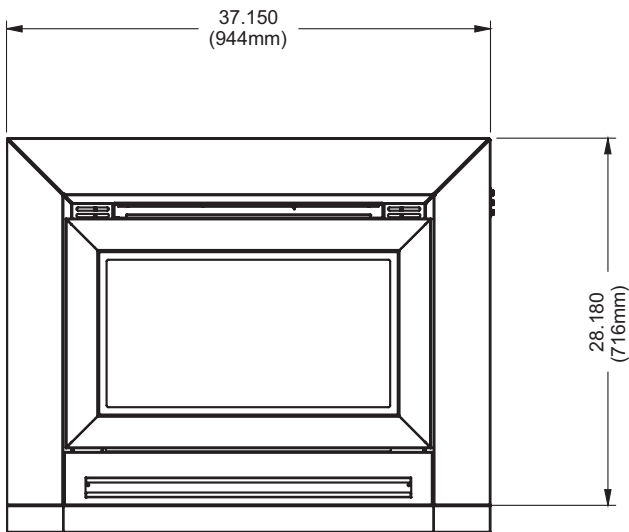
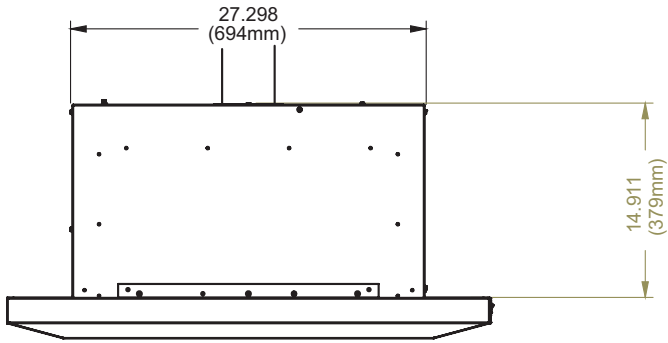


**HOT GLASS WILL
CAUSE BURNS**

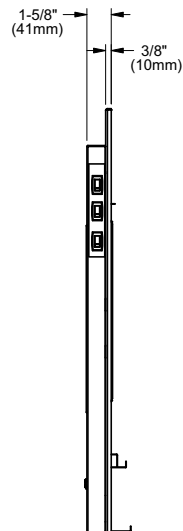
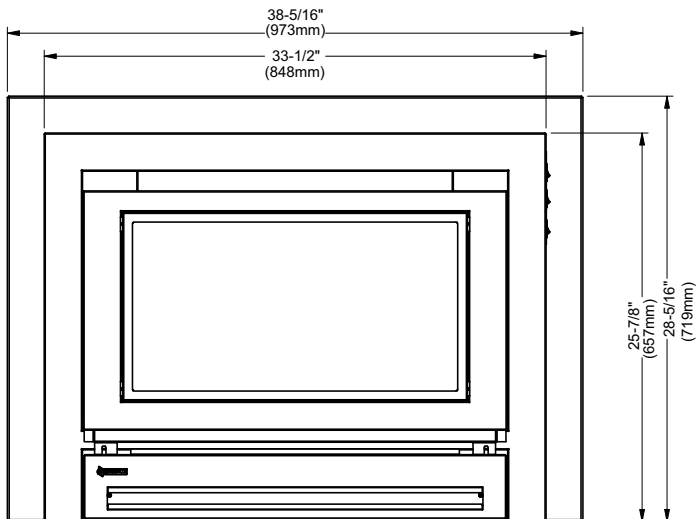
**DO NOT TOUCH GLASS
UNTIL COOLED**

**NEVER ALLOW CHILDREN
TO TOUCH GLASS**

UNIT DIMENSIONS W/ CONTEMPORARY FACEPLATE

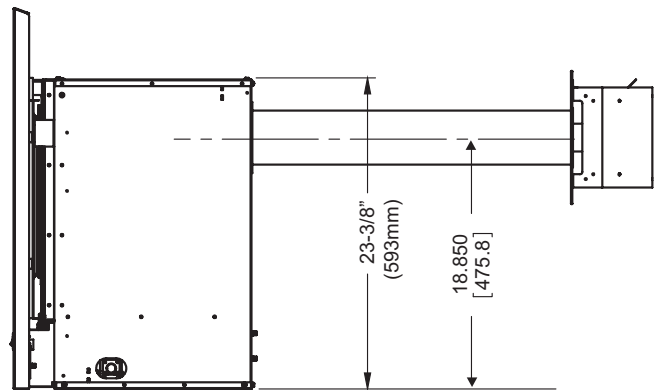
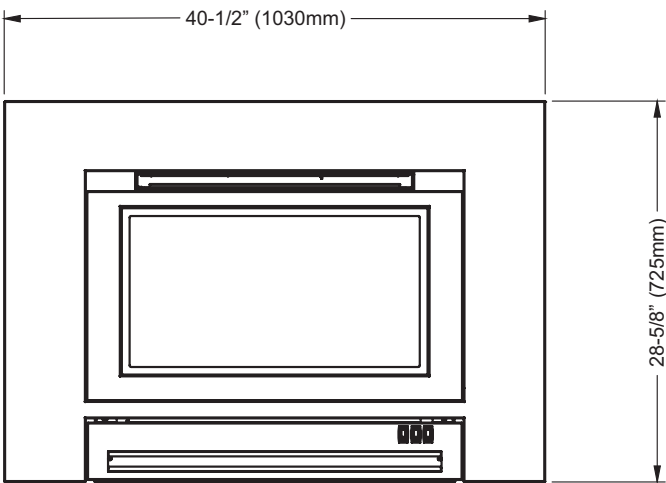
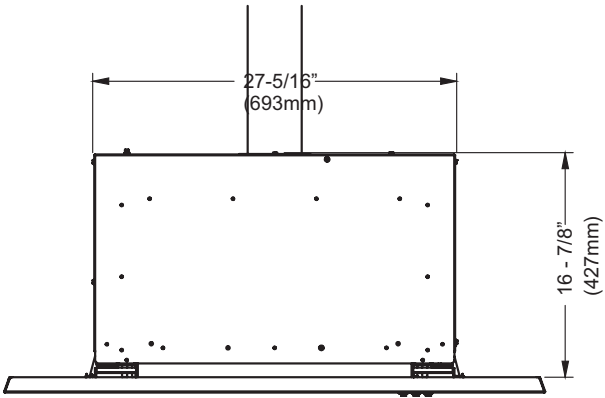


MODULAR FACEPLATE AND INFILL PANEL

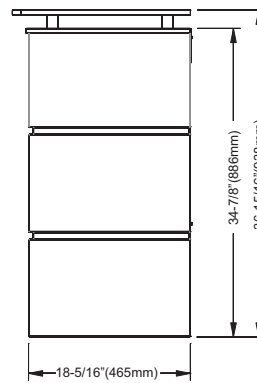
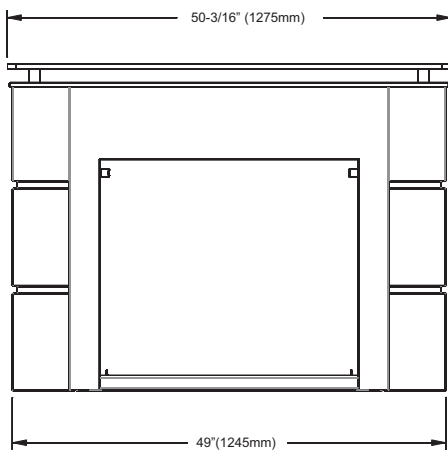
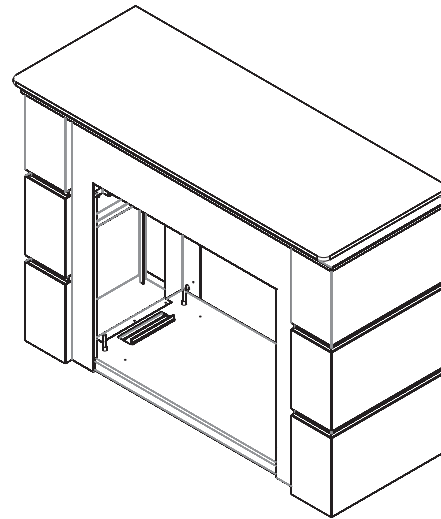


DIMENSIONS

UNIT DIMENSIONS W/ SLIM LINE FACEPLATE



DIMENSIONS - OPTIONAL MODULAR FIREPLACE SOLUTION



DIMENSIONS - OPTIONAL WEATHER BOX

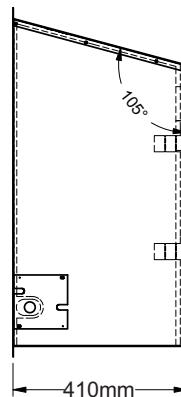
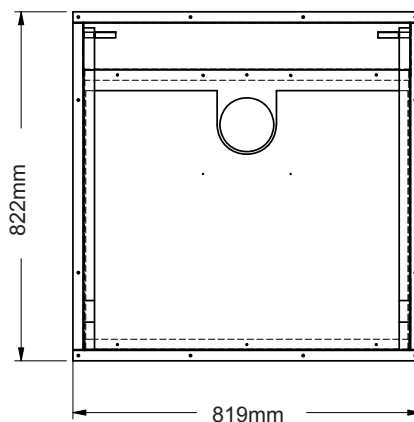
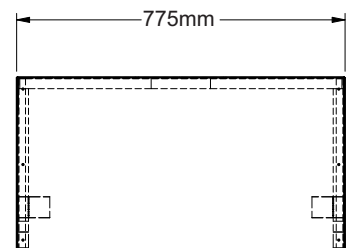


TABLE OF CONTENTS

DATA BADGE

Copy of Data Badge	4
--------------------------	---

INSTALLATION

Important Message.....	8
For Your Safety.....	8
Materials Required	8
Before You Start	8
masonry Minimum Fireplace opening Dimensions.....	9
(contemporary fascia).....	9
(Slim line fascia)	9
combustible "mock fireplace" Minimum Fireplace opening Dimensions.....	9
Clearances To Combustibles.....	9
Optional Modular fireplace solution Clearances	10
mock Fireplace kit (zero clearance) installation.....	11
Gas Pipe Pressure Testing.....	12
Exterior Flue Termination Locations	13
venting and termination	14
Aeration Settings	15
Conversion Kit for NG to LPG Model.....	16
Conversion Kit for NG to ULPG Model.....	17
optional Stainless steel inner panel install.....	21
Switch operation.....	22
log set installation.....	23
Glass Door installation.....	24
Contemporary faceplate Installation	25
Hearth trim Installation.....	26
Slim line faceplate Installation	27
Optional infill panel Installation	28
Modular faceplate Installation.....	29
Final Check.....	30
Wiring	30
Standard wiring.....	30

OPERATING INSTRUCTIONS

Operating Instructions	31
Lighting Instructions.....	31
Shutdown Instructions	31
First Fire	31
Remote Control	31
Copy Of Lighting Instruction Plate.....	33
Normal Operating Sounds Of	33
Gas Appliances.....	33
Resetting the unit.....	33

MAINTENANCE

Door Glass	35
Replacement	35
Glass Gasket.....	35
Convection Fan replacement.....	36
Combustion Fan replacement	37
Pressure switch replacement	38
Valve assembly replacement.....	39

PARTS LIST

Main Assembly	41
Contemporary Faceplate Assembly.....	42
Slim line Faceplate Assembly.....	42

WARRANTY

Warranty	43
----------------	----

This is a copy of the label that accompanies each Regency IP28 Gas Inbuilt fireplace. We have printed a copy of the contents here for your review.

DATA BADGE NOTE: Regency units are constantly being improved. Check the label on the unit and if there is a difference, the label on the unit is the correct one.

Regency Gas Fireplace			
Model	<input type="radio"/>	<input type="radio"/>	<input type="radio"/>
Gas Type	NG	PROPANE	ULPG
Model	IP28-NG	IP28-LPG	IP28-ULPG
Gas Consumption	28.8mj.	28.8mj.	21mj.
Manifold Pressure	0.88 kPa	2.49 kPa	2.49 kPa
Injector Size	1x#39	1x#53	1 x #55
AGA Approval 7728G	2.50mm	1.5mm	1.32mm
Code AS4553 NZS 5262			

Distributed by:


Western Australia:
Air Group Australia
 28 Division St
 Welshpool WA 6106

Eastern Australia:
Fireplace Products Australia Pty. Ltd.
 1 Conquest Way
 Hallam, VIC 3803

To be installed by an authorised person in accordance with installation instructions provided with the appliance.


Electrical: 240VAC 50Hz 1.0 amp

918-939b



N2134

Serial Number **372**



DO NOT OPERATE THIS APPLIANCE BEFORE READING THE INSTRUCTIONS BOOKLET.

DO NOT PLACE ARTICLES ON OR AGAINST THIS APPLIANCE

DO NOT STORE CHEMICALS OR FLAMMABLE MATERIALS NEAR THIS APPLIANCE.

DO NOT SPRAY AEROSOLS IN THE VICINITY OF THIS APPLIANCE WHILE IN OPERATION.

DO NOT OPERATE WITH PANELS, COVERS OR GUARDS REMOVED FROM THIS APPLIANCE.

DO NOT ENCLOSE THIS APPLIANCE.

DO NOT MODIFY THIS APPLIANCE.

908-602a

THE GUARD IS FITTED TO THIS APPLIANCE TO REDUCE THE RISK OR FIRE OR INJURY FROM BURNS AND NO PART OF IT SHOULD BE PERMANENTLY REMOVED.

FOR PROTECTION OF YOUNG CHILDREN OR THE INFIRM, A SECONDARY GUARD IS REQUIRED.

(Australia Only)

INSTALLATION

IMPORTANT MESSAGE

The Regency Gas Inbuilt must be installed in accordance with these instructions. Carefully read all the instructions in this manual first.

Note: Failure to follow these instructions could cause a malfunction of the heater which could result in death, serious bodily injury, and/or property damage. Failure to follow these instructions may also void your fire insurance and/or warranty.

FOR YOUR SAFETY

This appliance requires air for proper combustion. Always provide adequate combustion and ventilation air. Follow instructions and information in the current AS5601, NZS 5262 or local codes. Consult the "authority having jurisdiction" to determine the need for a permit prior to starting the installation.

MATERIALS REQUIRED

A 240 Volt AC power cord is hooked up to the unit. Plug 3 wire cord into a suitable receptacle. Do not cut the ground terminal off under any circumstances.

When connected with 240 volts, the appliance must be electrically grounded in accordance with local codes.

This unit is polarity sensitive and will not operate if polarity is incorrect.

The power connection must be accessible with the appliance installed as per AS5601.

BEFORE YOU START

INSTALLATION AND REPAIR SHOULD BE DONE ONLY BY AN AUTHORISED PERSON.

- 1) The appliance shall be installed in accordance with the manufacturer's installation instructions, local gas fitting regulations, municipal building codes, water supply regulations, electrical wiring regulations, with AS5601. (AGA gas installation code) NZS 5262(New Zealand). Special conditions ie. marine environment, should be avoided.
- 2) The appliance should be inspected before use and at least annually by an authorised service person. More frequent cleaning may be required due to excessive lint from carpeting, bedding material, etc. It is imperative that control compartments, burners and circulating air passageways of the appliance be kept clean and free from excessive lint from carpeting.
- 3) Always connect this space heater to a approved flueing and termination provided. Flue to the outside of the building envelope. Never flue to another room.
- 4) Inspect the flueing system annually for blockage and any signs of deterioration.
- 5) Any safety glass removed for servicing must be replaced prior to operating the appliance.
- 6) To prevent injury, do not allow anyone who is unfamiliar with the operation to use the fireplace.

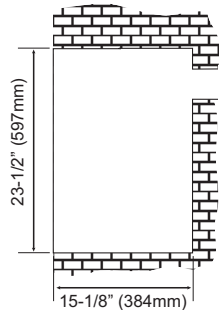
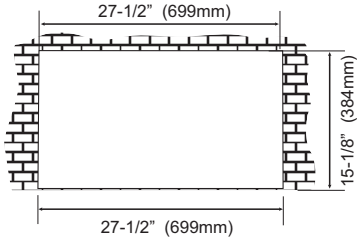
GAS CONNECTION WARNING

Only persons licensed to work with gas piping may make the necessary gas connections to this appliance.

MASONRY MINIMUM FIREPLACE OPENING DIMENSIONS (CONTEMPORARY FASCIA)

The minimum fireplace dimensions for the Regency gas space heater when using the Contemporary Fascia are shown in the following diagrams:

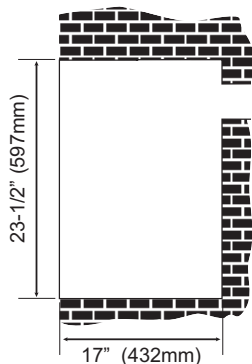
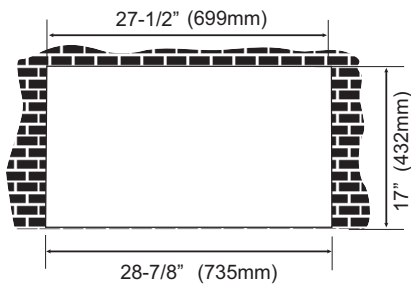
NOTE: ALLOW FOR SIDE GAS CONNECTION - IF REQUIRED



(SLIM LINE FASCIA)

The minimum fireplace dimensions for the Regency gas space heater when using the Slim line Fascia are shown in the following diagrams:

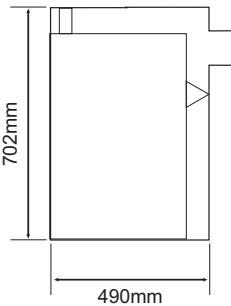
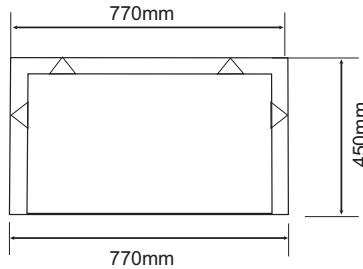
NOTE: ALLOW FOR SIDE GAS CONNECTION - IF REQUIRED



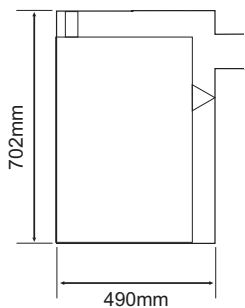
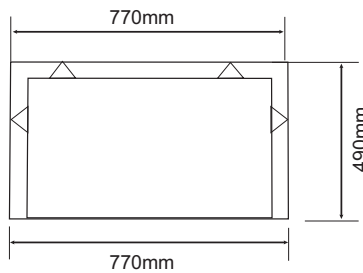
COMBUSTIBLE "MOCK FIREPLACE" MINIMUM FIREPLACE OPENING DIMENSIONS

The minimum fireplace dimensions for the Regency gas space heater when installing into a combustible mock fireplace are shown in the following diagrams:

(For Contemporary Fascia)



(For Slim line Fascia)

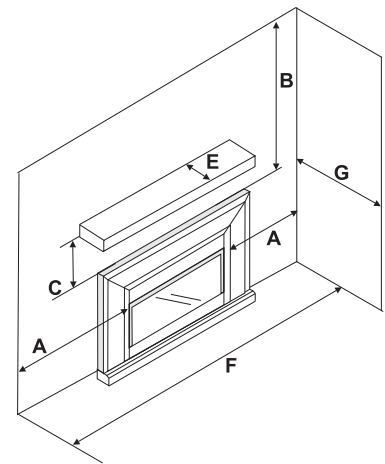


CLEARANCES TO COMBUSTIBLES

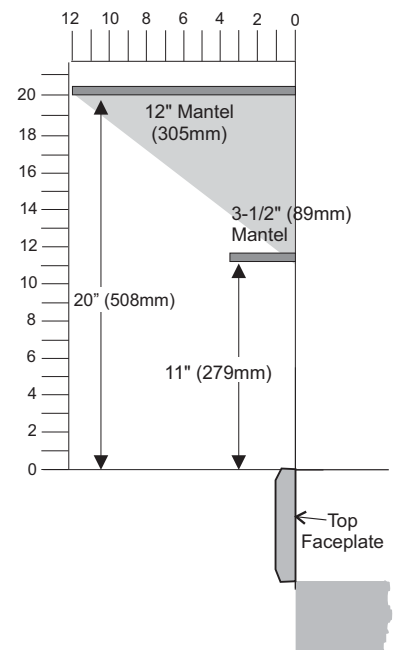
Minimum Clearances to Combustibles

	From Unit	
Sides	A	2" / 51mm
Ceiling	B	39-3/8" / 1000mm
Mantel	C	11" / 279mm
Max. Mantle Depth	E	12" / 305mm (see Dia. 2)
Min. Alcove Width	F	44-7/8" / 1139 mm
Max. Alcove Depth	G	36" / 914 mm

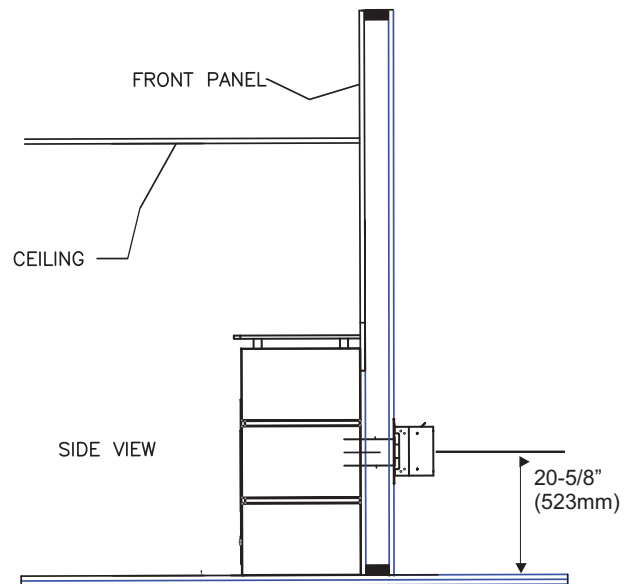
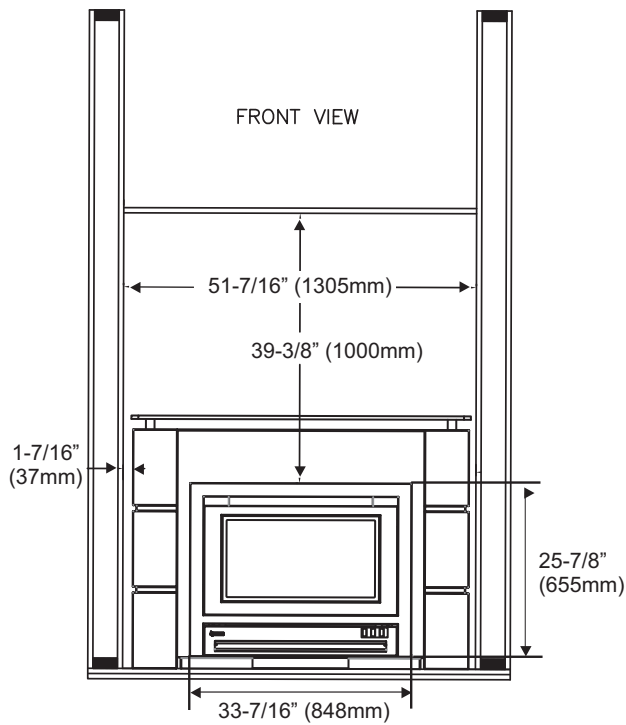
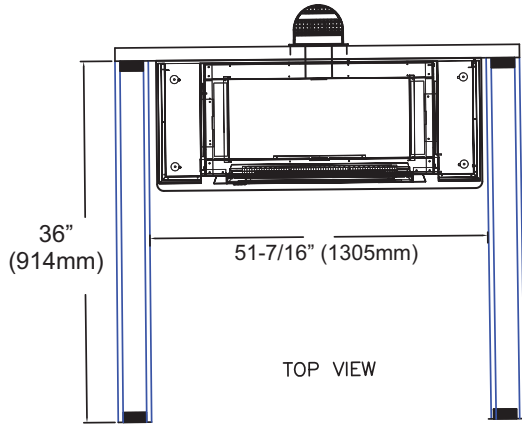
*No hearth required.



Mantle Clearances



OPTIONAL MODULAR FIREPLACE SOLUTION CLEARANCES



MOCK FIREPLACE KIT (ZERO CLEARANCE) INSTALLATION

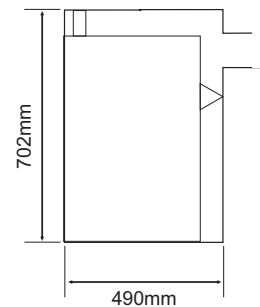
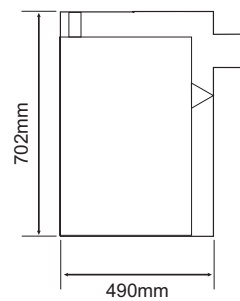
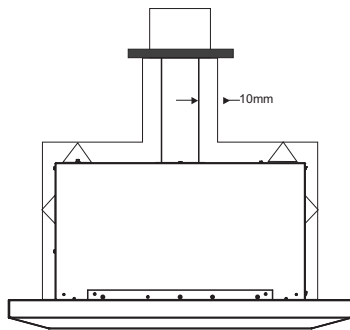
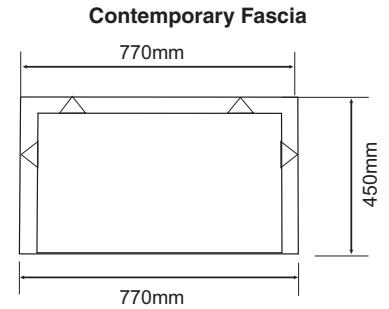
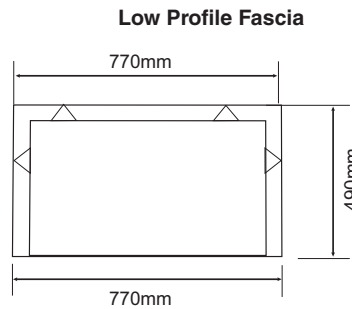
Zero Clearance Kit	
6	Standoffs
2	Side Brackets
1	Insulation Blanket

COMBUSTIBLE MOCK FIREPLACE KIT INSTALLATION:

Minimum cavity size for Low profile faceplate:
702mm Height x 770mm Width x 490mm Depth

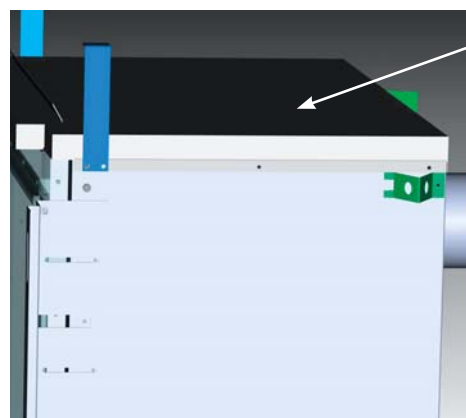
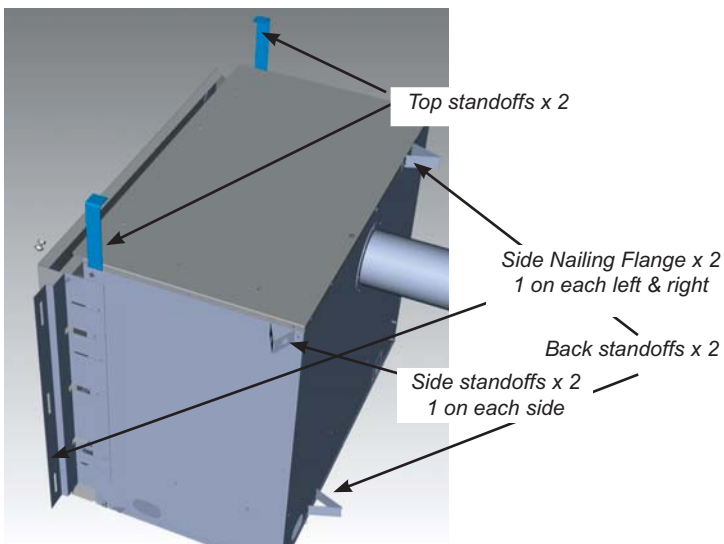
Minimum cavity size for Contemporary faceplate:
702mm Height x 770mm Width x 450mm Depth

VENTING CLEARANCES: 10mm is required all around venting



INSTALLATION OF MOCK FIREPLACE KIT:

- 1) Install top two 110 mm stand offs to the top of unit.
Install two 67 mm stand offs to the back of unit - install two 55 mm stand offs to the each side of unit.
- 2) Install left and right side nailing flange.
- 3) Lay insulation blanket on top of unit so it is flush and tight against backside of faceplate.
- 4) Unit is now ready for install into a combustibile cavity that has the above mentioned clearances.



Insulation blanket

NOTE: Please adjust nailing flanges in relationship to either Contemporary or Low Profile Faceplate. Faceplate needs to be flush against finished wall.

INSTALLATION

GAS PIPE PRESSURE TESTING

The appliance must be isolated from the gas supply piping system by closing its individual manual shut-off valve during any pressure testing of the gas supply piping system at test pressures equal to or less than 1/2 psig. (3.45 kPa). Disconnect piping from valve at pressures over 3.45 kPa (14" w.c.).

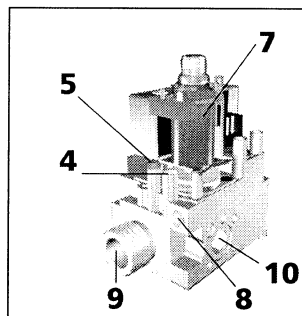
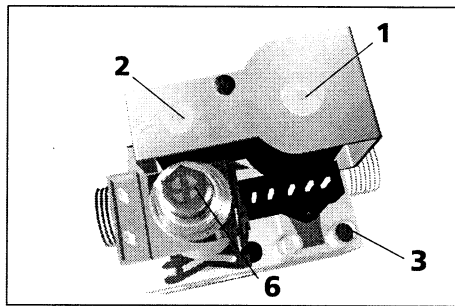
The manifold pressure is controlled by a regulator built into the gas control, and should be checked at the pressure test point.

Note: *To properly check gas pressure, both inlet and manifold pressures should be checked using the valve pressure ports on the valve.*

- 1) Make sure the valve is in the "OFF" position.
- 2) Loosen the "IN" (# 3) and/or "OUT" (# 4) pressure tap(s), turning counterclockwise with a 1/8" wide flat screwdriver.
- 3) Attach manometer to "IN" and/or "OUT" pressure tap(s) using a 5/16" (8mm) ID hose.
- 4) Seal and or check the pilot outlet (# 8)
- 5) The pressure check should be carried out with the unit burning and the setting should be within the limits specified on the safety label.
- 6) When finished reading manometer, turn off the gas valve, disconnect the hose and tighten the screw (clockwise) with a 1/8" flat screwdriver. *Screw should be snug, but do not over tighten.*

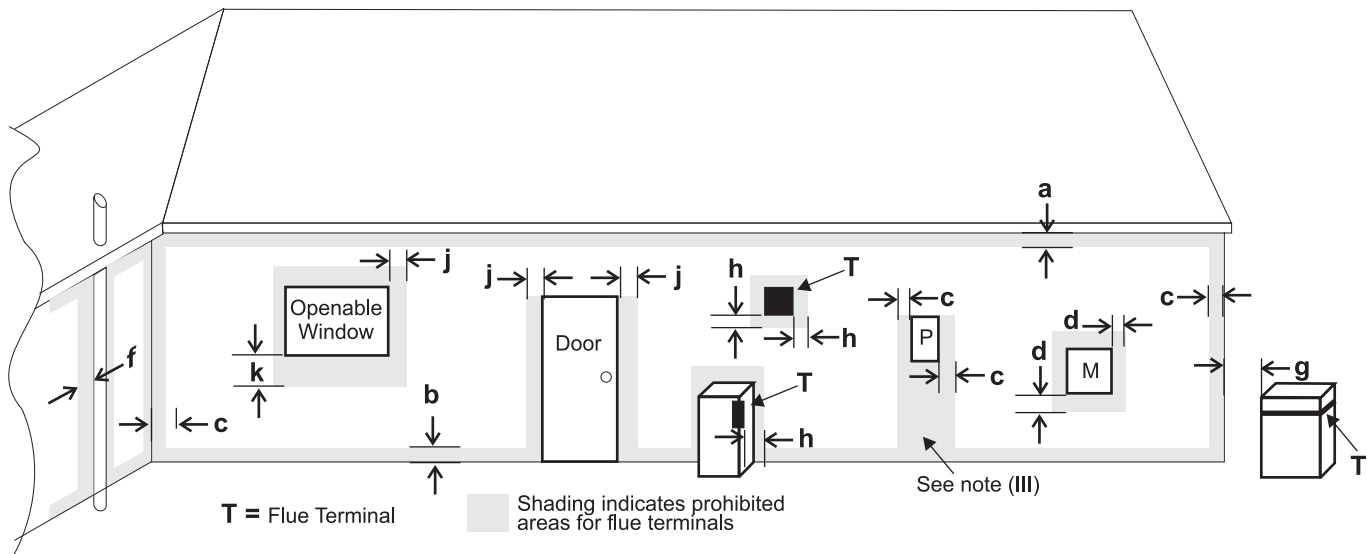
S.I.T. Valve Description

- 1) On-Off Solenoid Valve EV1
- 2) On-Off Solenoid Valve EV2
- 3) Inlet Pressure Test Point
- 4) Outlet Pressure Test Point
- 5) Connection for Pressure Regulator/ Combustion Chamber Compensation
- 6) Pressure Regulator for Minimum and Maximum Outlet Pressure
- 7) Gas Outlet Pressure Electric Modulator
- 8) Pilot Outlet
- 9) Main Gas Outlet
- 10) Side Outlet



Install to AS5601 (Australia) /
NZS 5262 (New Zealand)

EXTERIOR FLUE TERMINATION LOCATIONS



Minimum clearances required for balanced flue terminals or the flue terminals of outdoor appliances according to AS5601-2004 (AGA gas installation code) or NZS 5262 (New Zealand) and local authorities having jurisdiction.

	Minimum Clearance (mm)
a Below eaves, balconies or other projections:	
- Appliances up to 50 MJ/h input	300
- Appliances over 50 MJ/h input	500
b From the ground or above a balcony	300
c From a return wall or external corner	500
d From a gas meter (M)	1000
e From an electricity meter or fuse box (P)	500
f From a drain or soil pipe	150
g Horizontal from any building structure (unless appliance is approved for closer installation) or obstruction facing a terminal	500
h From any other flue terminal, cowl or combustion air intake	500
j Horizontally from an openable window, door, or non-mechanical air inlet, or any other opening into a building, with the exception of sub-floor ventilation (see also Note (I)):	
- Appliances up to 150 MJ/h input	500
- Appliances over 150 MJ/h input	1500
k Vertically below an openable window, door, or non-mechanical air inlet, or any other opening into a building, with the exception of sub-floor ventilation	

(see also Note (I)): see table below

Clearance 'k' in mm			
Space Heaters	All Other Appliances		
Up to 50 MJ/h input	Up to 50 MJ/h	Over 50 MJ/h input to 150 MJ/h input	Over 150 MJ/h input
150	500	1000	1500

(I) For mechanical air inlets, including spa blowers, the clearance 'j' and 'k' shall be 1500 mm in all cases.

(II) All distances shall be measured vertically or horizontally along the wall to a point in line with the nearest part of the terminal.

(III) Prohibited area below electricity meter or fuse box extends to ground level.

(IV) A flue terminal of this type shall not be located under a roofed area unless the roofed area is fully open on at least two sides and a free flow of air at the appliance is achieved.

VENTING AND TERMINATION

This flueing system in combination with the IP28 unit has been tested and listed as a power flue system by the Australian Gas Association. The termination location must conform to **AS5601** as per the diagram in the "Flue Termination Location" section of the manual.

**Venting cannot be run vertically.
Venting must have slight downward slope towards terminal.**

Masonry and Mock Fireplace Installations:

IP28 must be fitted with the venting and terminal provided.

Ensure cavity is prepared and ready to accept unit and proper measurements are taken to ensure proper vent length and sealing of the terminal and venting.

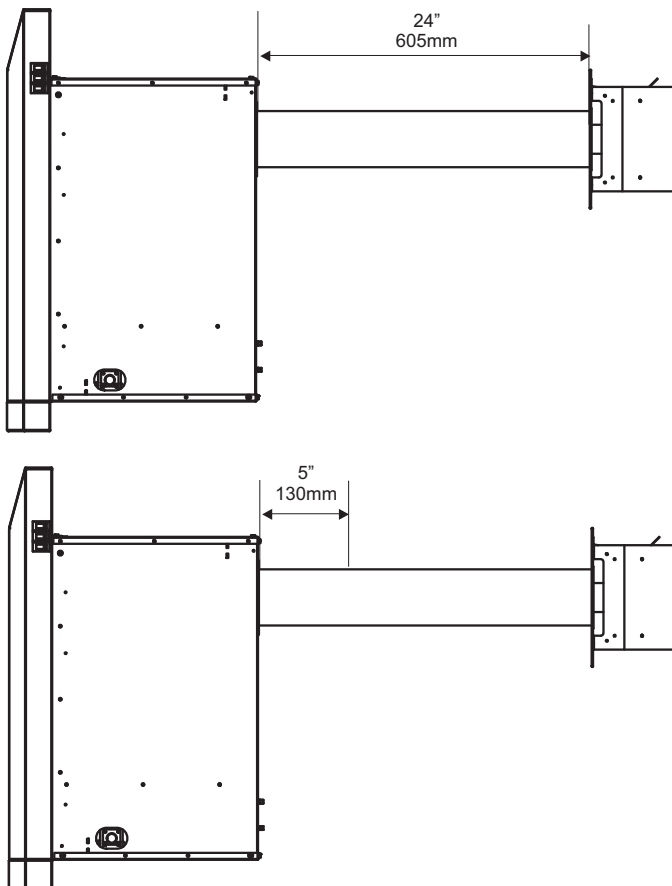
Preparation of venting for Installation

Maximum and minimum vent lengths:

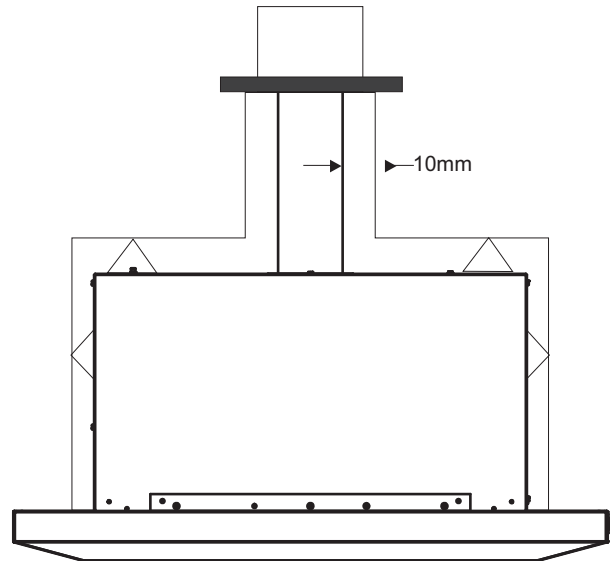
MAX LENGTH: 605mm

MIN LENGTH: 130mm

NOTE: All vent lengths must have 0.4 degree slope downwards.



**THIS UNIT MUST ALWAYS
TERMINATE / VENT DIRECTLY TO THE
OUTDOORS.**



CLEARANCES TO COMBUSTIBLES: 10mm is required all around the outer pipe.

- 1) Install inlet tube to back of unit with screws provided and mark "cut line". Remove inlet tube from unit and cut tube to proper length to ensure sealing at the terminal end.
- 2) Do the same as above for the outer tube. Secure to unit, "mark cut line", remove from unit, and cut tube to proper length to ensure sealing at the terminal end.
- 3) Re-install both the inner exhaust tube and outer fresh air tube to the unit.
Be sure not to damage the gasketing. Ensure both the inner and the outer are flush on the "terminal side" and measurements are correct. Once the venting is properly secured to the unit at the correct measurements for the cavity, the unit is now ready for installation.

System Data IP28			
Burner Inlet Orifice Sizes:			
	NG	Propane	ULPG
Burner	#39	#53	#55
Max. Input			
	NG	28.8 mj	
	Propane	28.8 mj	
	ULPG	21 mj	
Supply Pressure			
	NG	1.13 kPa	
	Propane	2.75 kPa	
	ULPG	2.75 kPa	
Manifold Pressure			
		HIGH	LOW
	NG	0.88 kPa	0.4kPa
	Propane	2.49 kPa	1.6kPa
	ULPG	2.49 kPa	1.6kPa
Electrical: 240 V. 50Hz. Circulation: High/LO speed fan, Log Set: Ceramic fibre, 4 per set.			
Aeration Setting			
	NG	7.94mm open	
	Propane	15mm open	
	ULPG	15mm open	

AERATION SETTINGS

The burner aeration is factory set but may need adjusting due to either the local gas supply, air supply or altitude. This adjustment is performed by the installer. (Close the aeration for a more yellow flame, or open it to make the flame bluer). Please adjust and lock into place via screw.

NG:	7.94mm open
LPG	15mm open
ULPG	15mm open

Note: Any damage due to carboning resulting from improperly setting the aeration is NOT covered under warranty.

Conversion Kit for NG to LPG Model

THIS CONVERSION MUST BE DONE BY A QUALIFIED GAS FITTER IF IN DOUBT DO NOT DO THIS CONVERSION !!

Conversion Kit 456-967 Contains:

Qty.	Part #	Description
1	904-345	Burner Orifice #55
1	908-528	Red "LPG" label
1	918-272	Label "Converted to ULPG"
1	919-107	Instruction Sheet

- 1) Shut off the gas supply and unplug the power cord.
- 2) Remove the primary guard and faceplate. Unplug polarized plug for the switches.
- 3) Remove the front door.
- 4) Remove logs.
- 5) Remove the grate.
- 6) Remove the burner and adjust the aeration setting to 15 mm fully open.
- 7) Remove burner orifice with a 1/2" wrench and discard. Use a wrench to hold on to the elbow behind the orifice.
- 8) Reinstall new burner orifice LPG stamped #53 and tighten.
- 9) Stick the conversion label "This unit has been converted to LPG" over top of the serial number decal.
- 10) Replace the yellow "NG" label with the red "LPG" label.
- 11) Reverse steps 6-2.

12) Adjusting the Outlet Pressure

All the adjustments must be carried out in the following order:

Remove the modulator plastic cap (A) using needle nose pliers.

Maximum pressure: Turn unit "ON" to it's highest input rating by setting the burner switch to "HIGH". Screw in the nut (B) to increase the outlet pressure and screw it out to decrease it. Use a 10 mm wrench.

NOTE: The outlet pressure must be set to maximum 2.49 kPa.

WARNING: When adjusting maximum pressure do not screw the nut in fully. If unable to obtain 2.49kPa outlet, check inlet pressure is adequate. Damage may occur to the gas valve if maximum pressure adjustment is fully screwed in.

Minimum pressure: Turn unit "ON" to it's lowest input rating by setting the burner switch to "LOW". While holding the nut (B) with a wrench, screw in the screw (C) to increase the pressure and screw it out to decrease it. Use a screwdriver 6 x 1 blade.

NOTE: The outlet pressure must be set to minimum 1.60 kPa.

After carrying out all adjustments, block the setting screws with paint, taking care not to obstruct the breather orifice of the pressure.

Put back the modulator plastic cap.

WARNING: To ensure the correct operation of the modulator it is necessary that the plastic cap (A) is returned to its original location.

- 13) Turn on gas supply and plug in power cord.
- 14) At the end of all setting and adjustment operations, check electrical installation and gas leaks.
- 15) Check operation of flame control.
- 16) Check for proper flame appearance and glow on logs.

Installer Notice:
These instructions must be left with the appliance.

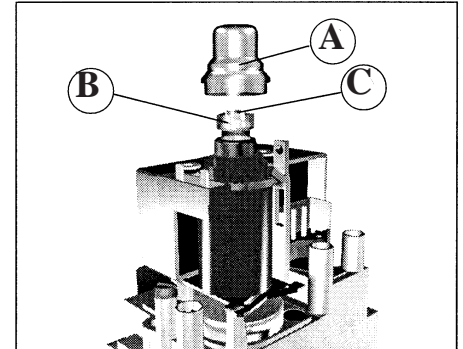


Figure 1

Conversion Kit for NG to ULPG Model

THIS CONVERSION MUST BE DONE BY A QUALIFIED GAS FITTER IF IN DOUBT DO NOT DO THIS CONVERSION !!

Conversion Kit # 456-967 Contains:

Qty.	Part #	Description
1	904-575	Burner Orifice #55
1	908-273	Red "ULPG" label
1	918-272	Label "Converted to ULPG"
1	919-121	ULPG data badge overlay
1	919-107	Instruction Sheet

- 1) Shut off the gas supply and unplug the power cord.
- 2) Remove the primary guard and faceplate. Unplug polarized plug for the switches.
- 3) Remove the front door.
- 4) Remove logs.
- 5) Remove the grate.
- 6) Remove the burner and adjust the aeration setting to 15 mm fully open.
- 7) Remove burner orifice with a 1/2" wrench and discard. Use a wrench to hold on to the elbow behind the orifice.
- 8) Reinstall new burner orifice ULPG stamped #55 and tighten.
- 9) Stick the conversion label "This unit has been converted to "ULPG" over top of the serial number decal.
- 10) Replace the yellow "NG" label with the red "ULPG" label.
- 11) Reverse steps 6-2.

12) Adjusting the Outlet Pressure

All the adjustments must be carried out in the following order:

Remove the modulator plastic cap (A) using needle nose pliers.

Maximum pressure: Turn unit "ON" to it's highest input rating by setting the burner switch to "HIGH" Screw in the nut (B) to increase the outlet pressure and screw it out to decrease it. Use a 10 mm wrench.

NOTE: The outlet pressure must be set to maximum 2.49 kPa.

WARNING: When adjusting maximum pressure do not screw the nut in fully. If unable to obtain 2.49kPa outlet, check inlet pressure is adequate. Damage may occur to the gas valve if maximum pressure adjustment is fully screwed in.

Minimum pressure: Turn unit "ON" to it's lowest input rating by setting the burner switch to "LOW". While holding the nut (B) with a wrench, screw in the screw (C) to increase the pressure and screw it out to decrease it. Use a screwdriver 6 x 1 blade.

NOTE: The outlet pressure must be set to minimum 1.60 kPa.

After carrying out all adjustments, block the setting screws with paint, taking care not to obstruct the breather orifice of the pressure.

Put back the modulator plastic cap.

WARNING: To ensure the correct operation of the modulator it is necessary that the plastic cap (A) is returned to its original location.

- 13) Turn on gas supply and plug in power cord.
- 14) At the end of all setting and adjustment operations, check electrical installation and gas leaks.
- 15) Check operation of flame control.
- 16) Check for proper flame appearance and glow on logs.

Installer Notice:

These instructions must be left with the appliance.

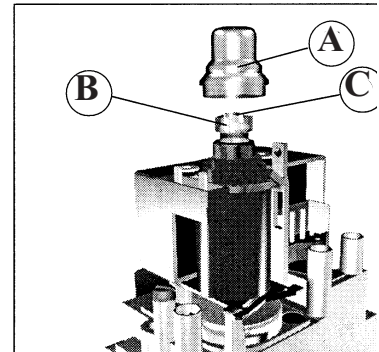
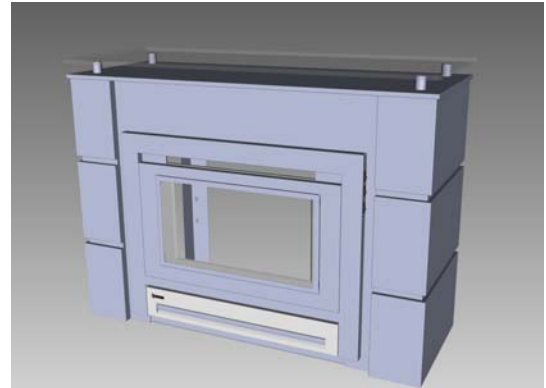


Figure 1

OPTIONAL MODULAR FIREPLACE SOLUTION INSTALLATION

Follow these instructions to the install the Optional Modular Fireplace Solution
See Installation Manual for overall dimensions and clearances.

Required components
IP28 unit
Modular Fireplace Solution (comes with faceplate)
Venting Kit



Before you begin:

Ensure the Modular Fireplace Solution (MFS) is positioned so the gas and electrical connections can enter from the bottom or the back.

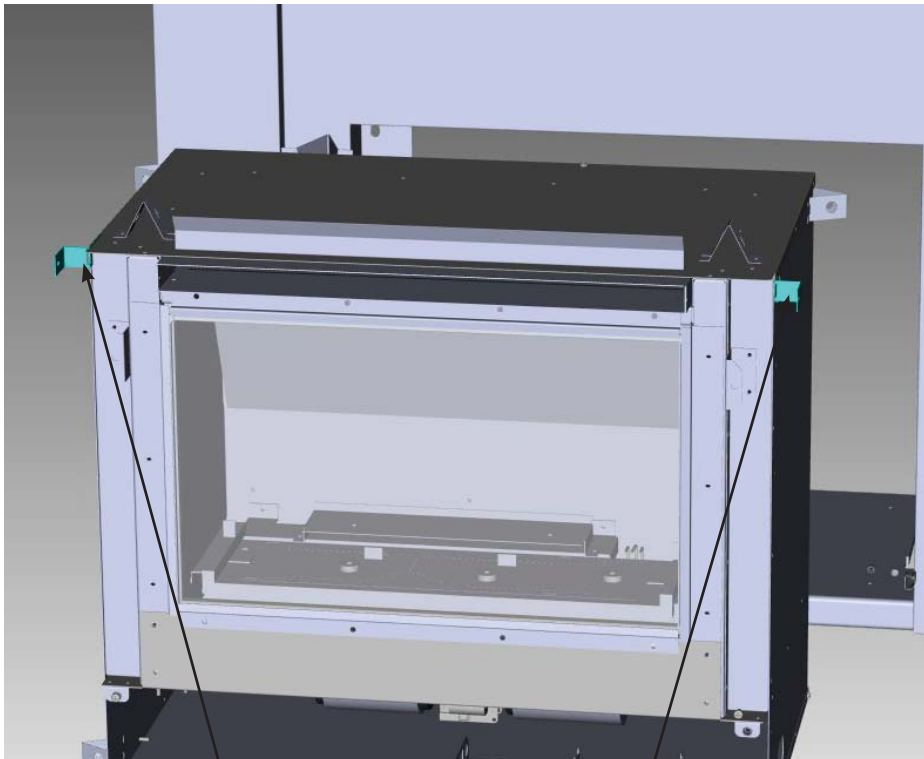
- 1) Follow the installation instructions for the venting and termination as referenced in the installation manual. Please note: **WHEN IP 28 IS INSTALLED WITHIN THE MFS THE UNIT IS RAISED. ENSURE YOUR HOLE TO CENTER IS MARKED AND CUT ACCORDINGLY.**
- 2) Once the hole is prepared to install the venting, place the MFS center of the hole and flush against the wall and position the gas line and electrical accordingly within the MFS. Secure the MFS to the wall using the screws provided. See screw locations in diagram below.



Note: Front panel shown as transparent to show screw locations.

- 3) Ensure venting is secured to unit and slide unit carefully into the MFS. **NOTE: SLIDE UNIT IN PARTIALLY TO ALLOW ACCESS TO CONNECT GAS AND ELECTRICAL.** Once gas and electrical are connected, slide unit in completely.

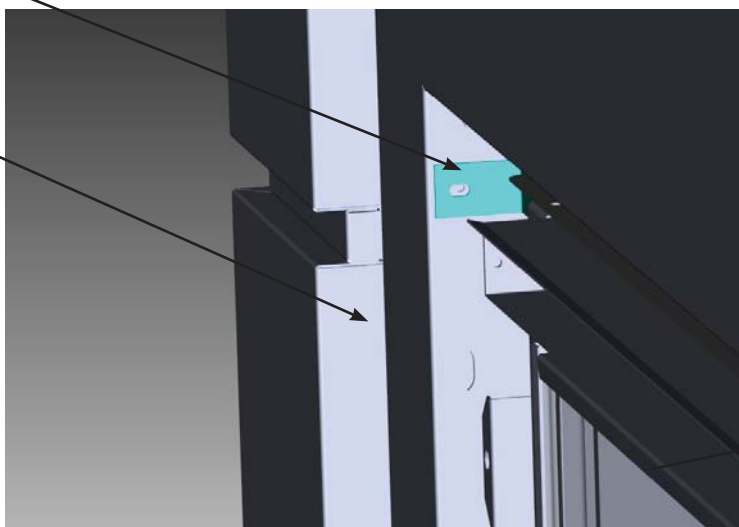
4) Secure unit to the MFS using the two securing brackets provided. See Below. Next, secure flue cowl to venting.



Securing brackets

Securing bracket

MFS



Unit

- 5) Install optional stainless inner panels and remote control if applicable.
See installation manual for detailed instructions. Install decorative log kit as referenced in the installation manual.
- 6) Install the faceplate as referenced in the installation manual, under slimline faceplate.
- 7) Ensure the proper gas pressure.

INSTALLATION

OPTIONAL WEATHER BOX INSTALLATION

NOTE: The weather box to be installed ONLY in conjunction with the "Mock Fireplace Kit"

KIT # 456-940 Contains:	
456-124	Cover External LH
456-125	Cover External RH
456-128	Cover External Top
456-129	Cover External Bottom
456-130	Cover External Back
440-420F	Plate Gas Line Cover
456-126	Insulation Back
456-127	Insulation Sides
904-643	Screw 10 x 1/2 Hex

1. Attach the side to the back with 4 screws on each side.



Side panels attached to back

2. Attach the top to the sides with 3 screws on each side.



3. Attach the bottom to the sides with 3 screws on each side.
Ensure return edge is on the inside.



Attach bottom to sides

4. Install back insulation first, when in place, bend over 4 securing tabs. Install left and right sides bending over three tabs each side to secure.



Install insulation - secure by bending tabs



5. Add gas cover plate, if required.



6. With the weather box assembled, secure to the outside wall with screws.

7. Ensure weather box is sealed against weather/water ingress etc

8. Before installing unit, ensure flue length, gas and electrical routing have all been considered.

9. Install unit.

OPTIONAL STAINLESS STEEL INNER PANEL INSTALL

Before you start:

Stainless panels must be inspected for scratches and dimples prior to installation. All claims to be recorded at this time. Claims for damage after installation will not receive consideration.

To protect the finish during installation and handling - cotton gloves **MUST** be worn at all times while handling the panels (even when removing protective coating).

Stainless panels will discolor a little during normal operation. This is normal and should not be considered a defect.

All hand and finger marks **MUST** be cleaned off with a soft cloth and a stainless steel cleaner. Most stainless steel cleaners leave a film/residue on the surface of the panels. Use an ammonia based cleaner (ie. glass cleaner) to remove this film before applying heat to the unit. **Failure to do this will result in burn stains on panels which you will be unable to remove.** This is not a warranty item.

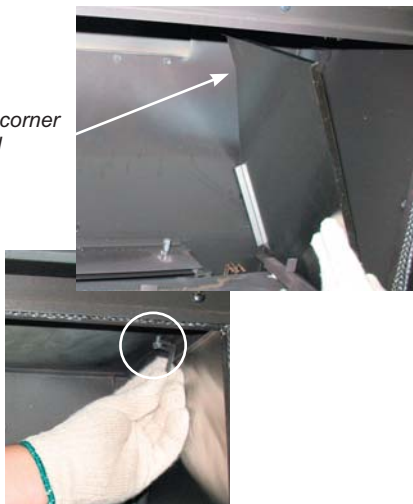
- 1) Remove the primary guard and faceplate. Unplug polarized plug for the switches.. Refer to instructions in this manual.
- 2) Remove glass and glass retainers. Refer to instructions in this manual for detailed instructions.
- 3) Remove all the logs if installed and set aside carefully.
- 4) Remove the two side brackets and screws (set aside) - then remove the side panels by tilting the top in and lifting them out.
- 5) Orient the stainless side panels with the angled corner facing the back of the firebox.
- 6) Secure the stainless panel with original bracket and screw - repeat procedure on the opposite side.
- 7) Reinstall the logs, glass door, inner door frame with screen and finally the faceplate. See manual for detailed instructions.



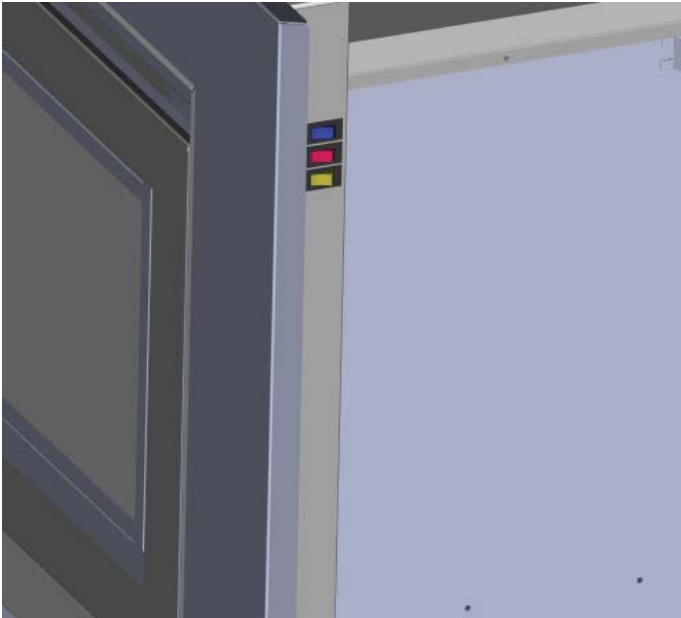
Final installation of optional stainless panels.



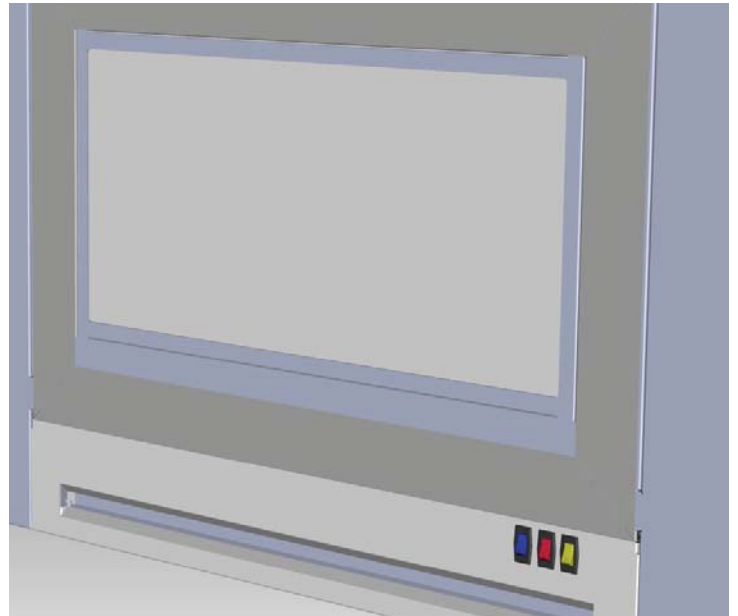
Angled corner in panel



SWITCH OPERATION



Switch location - Contemporary Faceplate



Switch location - Slim line Faceplate

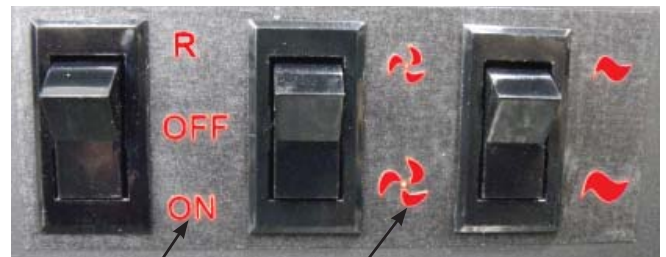


Switch operation - Contemporary Faceplate

ON | OFF | REMOTE

HIGH | LOW (FAN)

HIGH | LOW (Mj)



ON | OFF | REMOTE

HIGH | LOW (FAN)

HIGH | LOW (Mj)

Switch operation - Slim line Faceplate

LOG SET INSTALLATION

- 1) Install rear log (0113) Ensure proper pin location and positive position on all logs.



- 2) Install left front log (0115).



- 3) Install right front log (0115).



- 4) Install top left cross log.



- 5) Place lava rocks on firebox base in front of logs - do not block porting and spread out evenly.



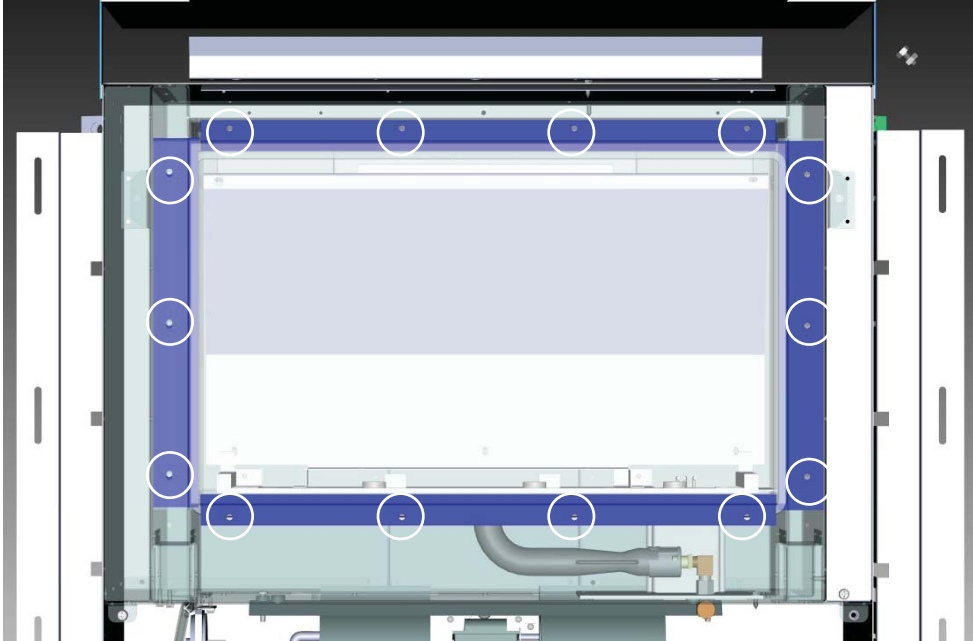
- 6) Final install.



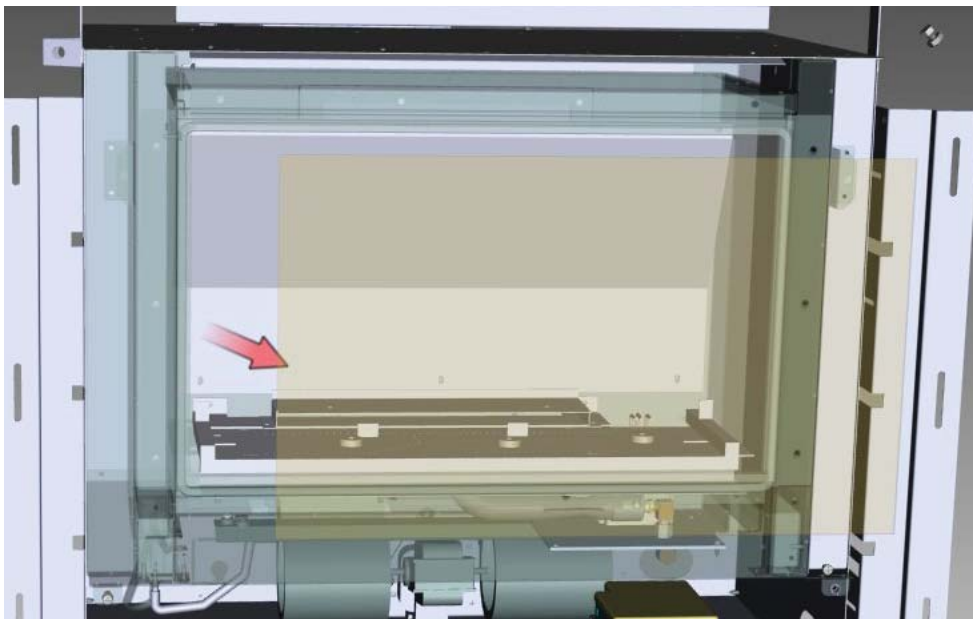
GLASS DOOR INSTALLATION

Before you start: Ensure power is off.

- 1) Remove the primary guard and faceplate. Unplug polarized plug for the switches.
- 2) Loosen 14 screws securing the glass retainers.
Remove as many retainers required to either lift or slide the existing glass out. Ensure glass does not dislodge



- 3) Carefully remove and replace the glass.



- 4) With new glass installed in correct position, reinstall all glass retainers and screws.
Ensure all screws are tightened to create a proper seal. **Do not over tighten.**

NOTE: Unit will not operate with glass removed

CONTEMPORARY FACEPLATE INSTALLATION

NOTE: If installing the Contemporary Faceplate with the mock fireplace - adjust the framing tabs accordingly.

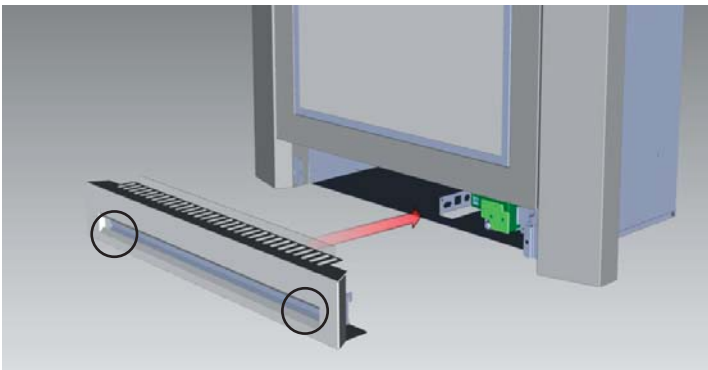
- 1) Line up faceplate with front of unit.
Install four (4) screws in locations shown below to secure faceplate



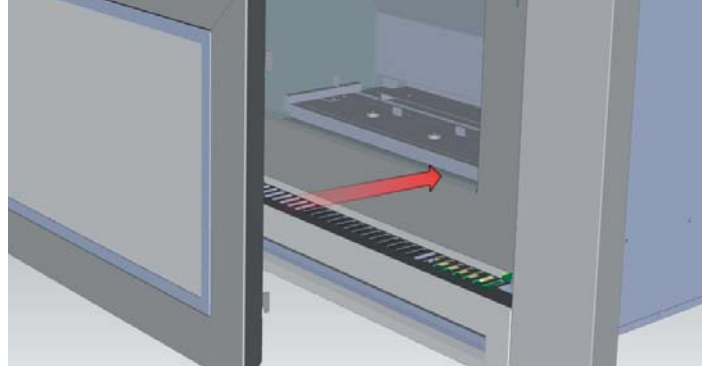
- 2) Hook up wire harness from faceplate to connection to under unit and check gas connections.



- 3) Reinstall bottom louver and install 2 screws in locations shown below.



- 4) Reinstall front frame.

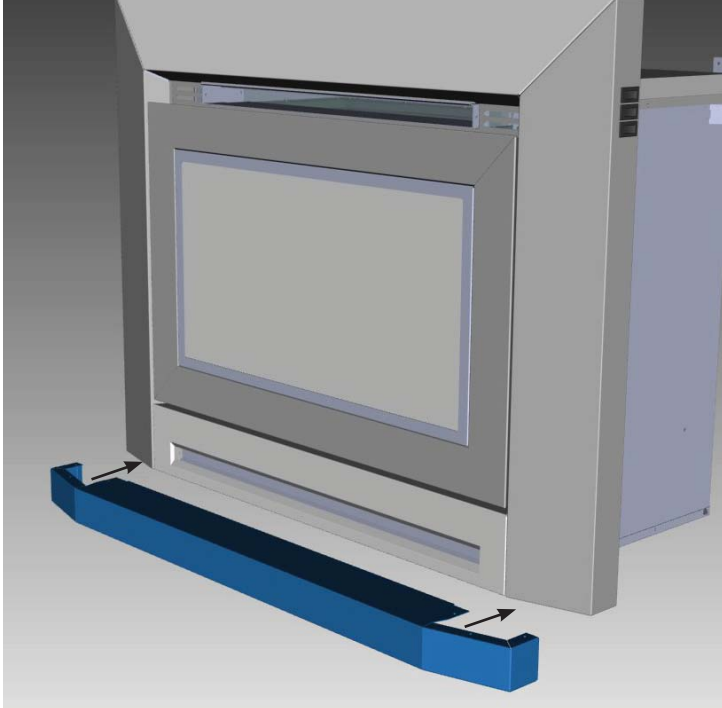


- 5) Final install.

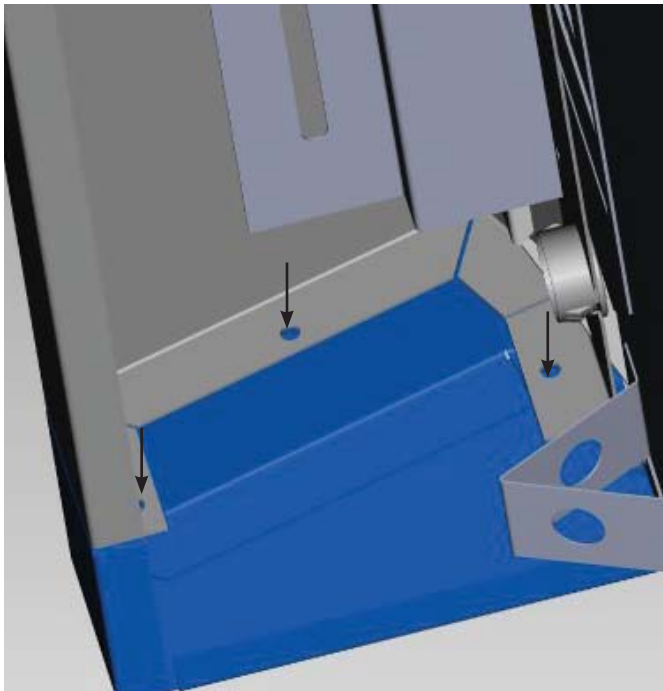


HEARTH TRIM INSTALLATION

- 1) Line up the hearth trim with the bottom of the fascia until it is flush with the fascia.



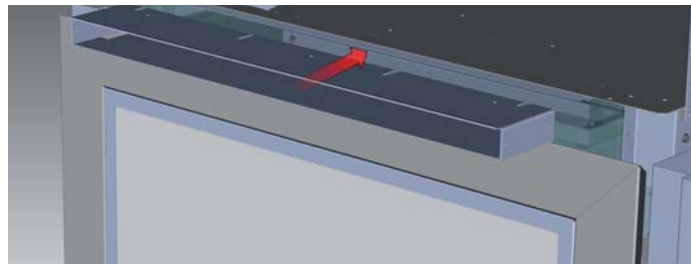
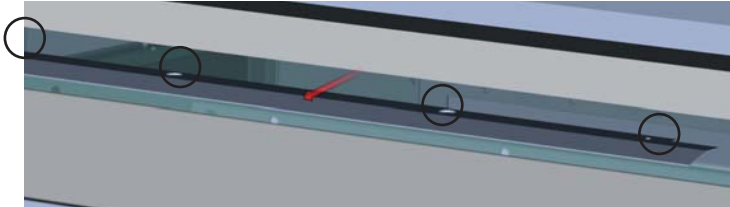
- 3) From the backside of the fascia - secure the hearth trim with 3 screws on each side in locations shown below.



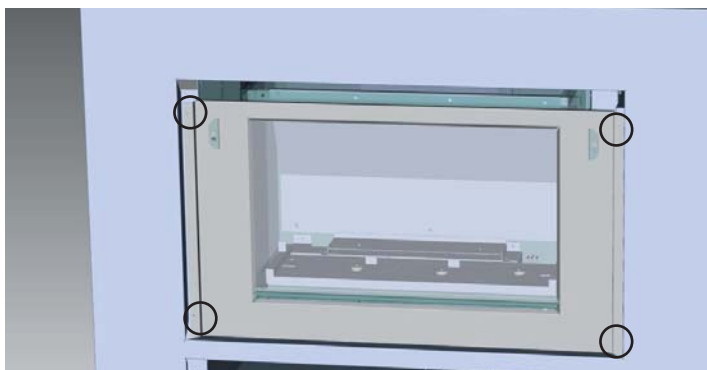
SLIM LINE FACEPLATE INSTALLATION

NOTE: If installing the Low Profile Faceplate with the mock fireplace - adjust the framing tabs accordingly

- 1) Remove the stabilizer bar by removing 4 screws - install the convention air duct in the same location using the same 4 screws, see below.



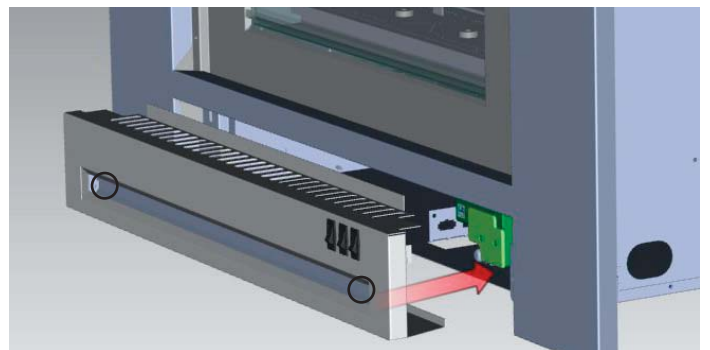
- 2) Install four (4) screws in locations shown below to secure faceplate



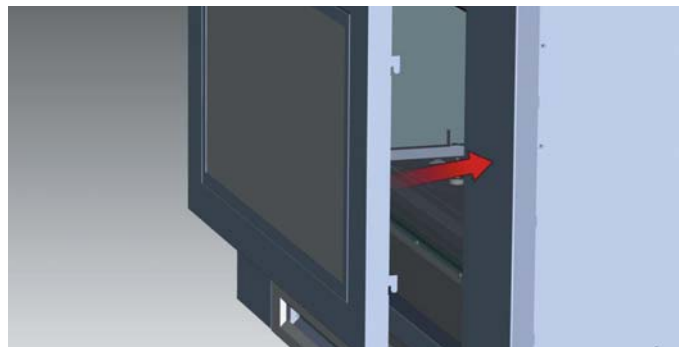
- 3) Hook up wire harness from faceplate to connection to under unit and check gas connections.



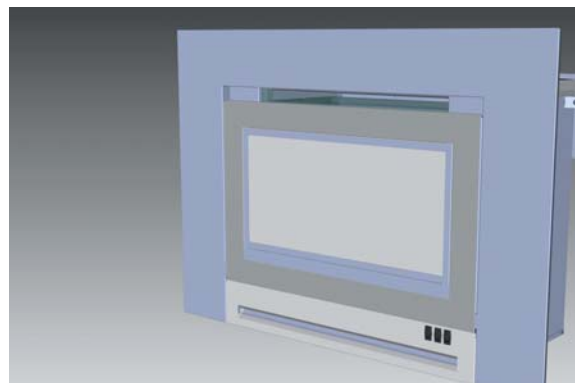
- 4) Reinstall bottom louver and install 2 screws in locations shown below



- 5) Reinstall front frame.



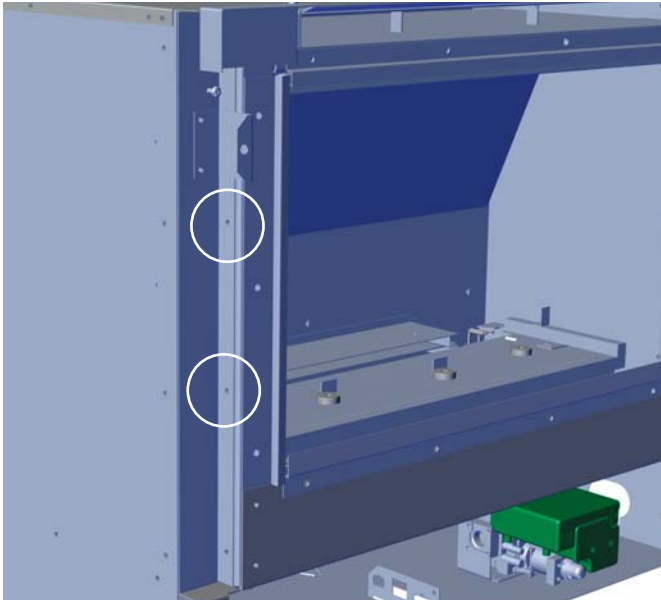
- 6) Final install.



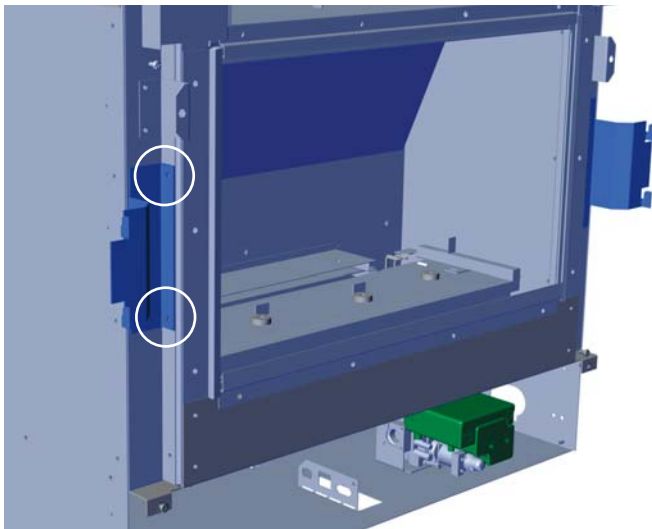
OPTIONAL INFILL PANEL INSTALLATION

If required, an optional infill panel is available to cover larger openings.

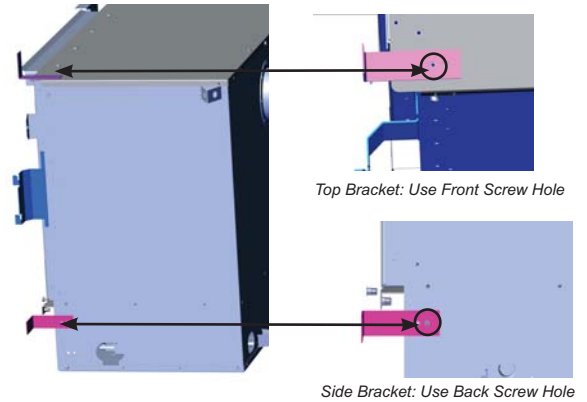
1. Remove 2 screws on each side of the unit from locations shown below.



2. Install a mounting bracket on each side of the unit, in the same location as where screws were removed.

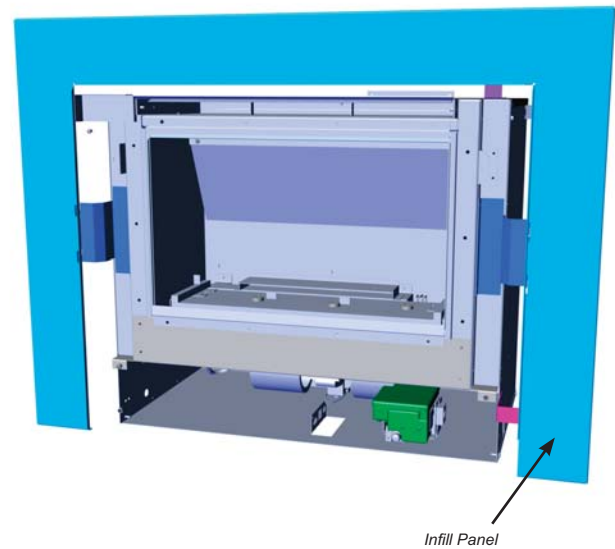


3. Install 4 support brackets, two on the side, and two on the top of the unit as shown below.



NOTE: Support brackets are only required for masonry installations.

4. Hook the infill panel onto the brackets installed in Step 2.



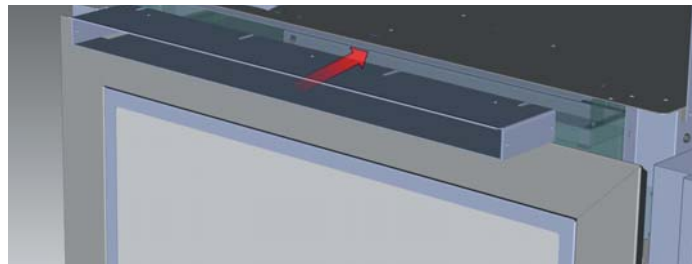
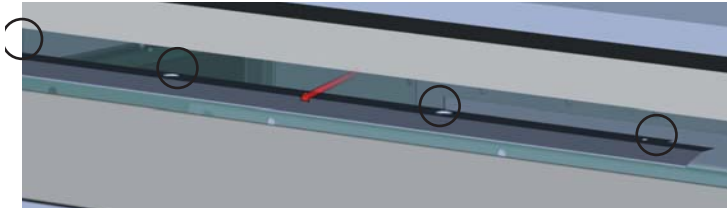
5. Please see Modular Faceplate instructions to complete installation.

NOTE: Infill panel is required for mock fireplace applications and optional for masonry applications when installing Modular faceplate.

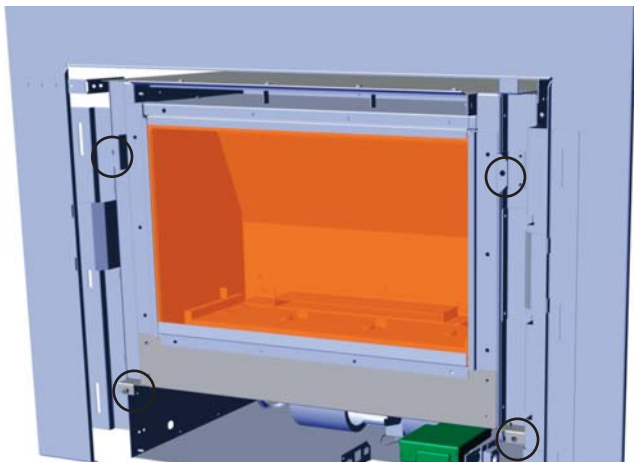
MODULAR FACEPLATE INSTALLATION

NOTE: If installing the Modular Faceplate with the mock fireplace application - adjust the framing tabs accordingly

- 1) Remove the stabilizer bar by removing 4 screws - install the convention air duct in the same location using the same 4 screws, see below.



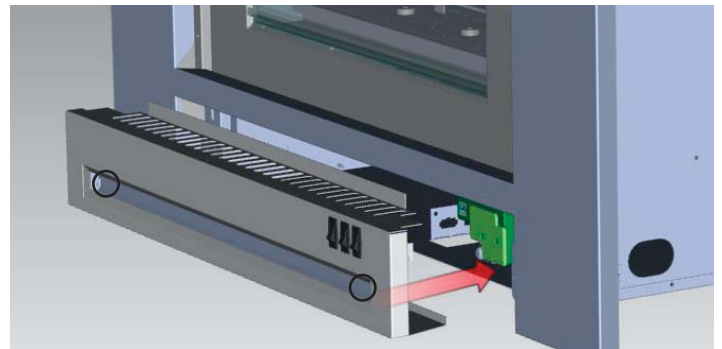
- 2) Install four (4) screws in locations shown below to secure faceplate



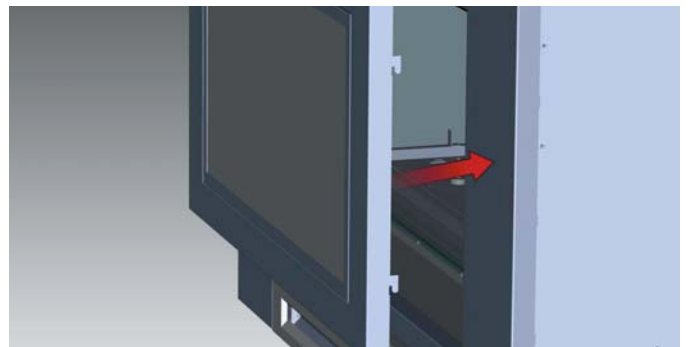
- 3) Hook up wire harness from faceplate to connection to under unit and check gas connections.



- 4) Reinstall bottom louver and install 2 screws in locations shown below



- 5) Reinstall front frame.



- 6) Final install.



OPERATING INSTRUCTIONS

Before operating this appliance, proceed through the following check list.

- 1) Read and understand these Instructions before operating this appliance.
- 2) Check to see that all wiring is correct and enclosed to prevent possible shock.
- 3) Check to ensure there are no gas leaks.
- 4) Make sure the glass door is in place. Never operate the appliance with the door glass removed.
- 5) Verify that all flueing and the cap is unobstructed.
- 6) Verify log placement.
- 7) The unit should never be turned off and on again without a minimum of a 2 minute wait.
- 8) When lighting the appliance, the inside of the glass may fog up. This will burn off after a few minutes of operation.

LIGHTING INSTRUCTIONS

- 1) Locate the 3 way switch located on the faceplate (refer to switch operation section in this manual for location).

Manual Operation - Turn 3 way switch to ON position, after approximately 60 seconds the spark ignition system will spark for 5 seconds to light the main burner. If the main burner fails to light - repeat sequence.

Remote Operation - Turn 3 way switch to the Remote position, locate Remote - press and release ON/OFF button once. Wait approximately 60 seconds to light the main burner. If the main burner fails to light repeat sequence.

SHUTDOWN INSTRUCTIONS

Manual Operation - Turn 3 way switch to OFF position.

Remote Operation - Press and release ON/OFF button once or turn 3 way switch from Remote position to OFF position.

FIRST FIRE

The **FIRST FIRE** in your heater is part of the paint curing process. To ensure that the paint is properly cured, it is recommended that you burn your fireplace for at least four (4) hours the first time you use it with the fan on.

When first operated, the unit will release an odour caused by the curing of the paint and the burning off of any oils remaining from manufacturing. Smoke detectors in the house may go off at this time. Open a few windows to ventilate the room for a couple of hours. The glass may require cleaning.

NOTE: When the glass is cold and the appliance is lit, it may cause condensation and fog the glass. This condensation is normal and will disappear in a few minutes as the glass heats up.

DO NOT ATTEMPT TO CLEAN THE GLASS WHILE IT IS STILL HOT!

DO NOT BURN THE APPLIANCE WITHOUT THE GLASS FRONT IN PLACE.

REMOTE CONTROL

Use the Regency Remote Control Kit approved for this unit. Use of other systems may void your warranty.

Note: The remote must be coded into the unit before it can be operated. See "Remote Control Installation and Operating Instructions" manual supplied with the remote control.

The remote control kit comes with a hand held transmitter and a wall mounting plate.

- 1) Choose a convenient location, to the left side of the valve, to mount the hand held transmitter, protection from extreme heat is very important.

By using the wall mounting plate to house the transmitter, the remote can also be used as a wall thermostat.



OPERATING INSTRUCTIONS

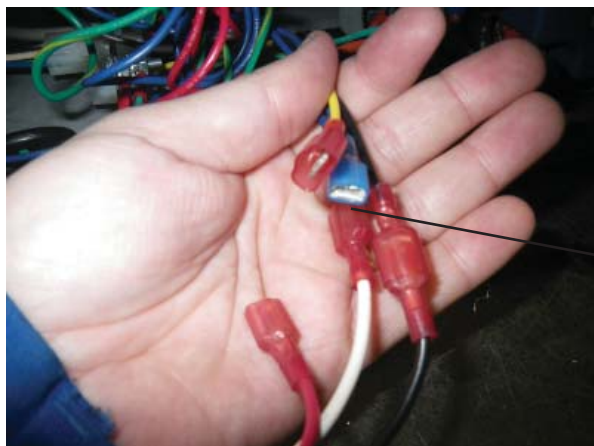
REMOTE RECEIVER INSTALLATION

Carefully remove blank spades from remote wires in heater.

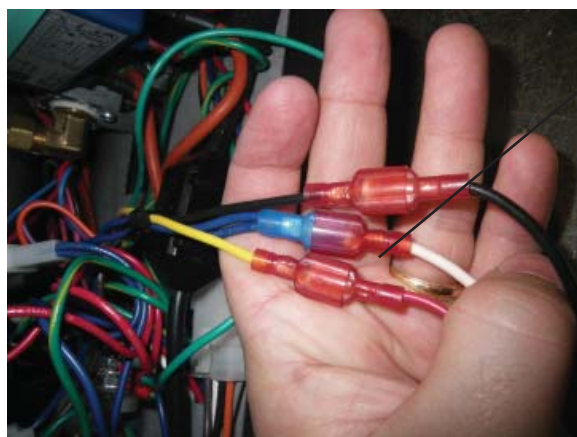
- 1) Connect black to black.



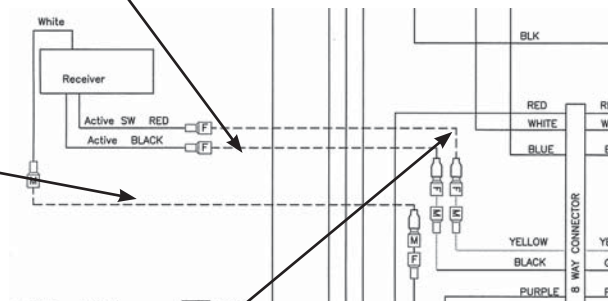
- 2) Connect white to blue.



Once you connect the black wire, the other 2 wires are identified by the male-female connector.



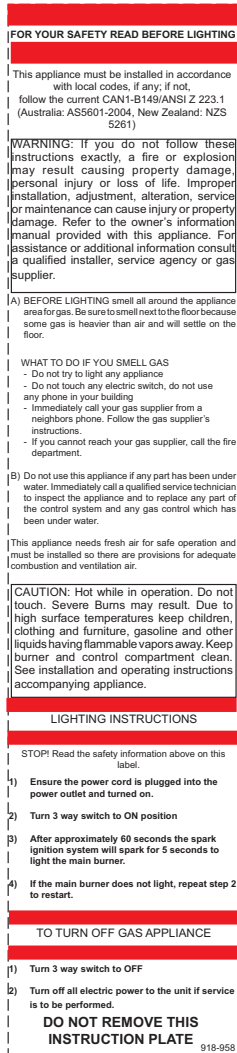
Remote receiver



Place the receiver in the left hand side on the base of the heater.

Ensure the receiver aerial is not touching metal components.

COPY OF LIGHTING INSTRUCTION PLATE



WARNING:
DO NOT SPRAY AEROSOLS IN THE VICINITY OF
THIS APPLIANCE WHILE IN OPERATION.



"Appliances incorporating a live fuel effect (designed to operate with blue flames with slight yellow tips) may exhibit slight carbon deposition."

NORMAL OPERATING SOUNDS OF GAS APPLIANCES

It is possible that you will hear some sounds from your gas appliance. This is perfectly normal due to the fact that there are various gauges and types of steel used within your appliance. Listed below are some examples. All are **normal operating sounds** and should not be considered as defects in your appliance.

Fans:

.It is not unusual for the fan to make a "whirring" sound when ON. This sound will increase or decrease in volume depending on the speed setting of your fan speed control.

This appliance is equipped with a combustion and convection fan. These fans will operate as soon as the appliance is turned on.

NOTE: This appliance will not operate without the convection fan running at all times.

Burner Tray:

The burner tray is positioned directly under the burner tube(s) and logs and is made of a different gauge material from the rest of the firebox and body. Therefore, the varying thicknesses of steel will expand and contract at slightly different rates which can cause "ticking" and "cracking" sounds. You should also be aware that as there are temperature changes within the unit these sounds will likely re-occur. Again, this is normal for steel fireboxes.

Gas Control Valve:

As the gas control valve turns ON and OFF, a dull clicking sound may be audible, this is normal operation of a gas regulator or valve.

Unit Body/Firebox:

Different types and thicknesses of steel will expand and contract at different rates resulting in some "cracking" and "ticking" sounds will be heard throughout the cycling process.

RESETTING THE UNIT

If the appliance goes to 'lockout', the system will have to be reset by unplugging or pressing switch to OFF position.

***Important:** Wait at least 5 min for any unburned gas to clear before resetting the appliance.

NOTE: Wait 2 minutes between reset attempts.

OPERATING INSTRUCTIONS

All maintenance must be carried out by a licensed qualified service person

IT IS CRITICAL THAT THIS APPLIANCE IS EARTHED AND THAT THE ACTIVE AND NEUTRAL ARE NOT REVERSED

UNIT OPERATION	ACTION REQUIRED
No gas to the burner	The gas valve should open at the same time the ignition commences sparking. If there is no gas to the burner, turn unit off. Connect manometer to inlet test point on the gas valve and check static pressure. If O.K. turn unit on and check there is no significant drop in the pressure. If O.K. connect manometer to outlet test point of the gas valve, turn unit on and check outlet pressure is present whilst the spark is being generated.
Unit sparks, main burner ignites after 5 seconds spark continues even though main flame is present	This can be caused by incorrect polarity. Check that the wall socket to the appliance has correct polarity. If an extension lead is fitted check polarity of the lead. Check the polarity of the supply lead to the appliance. NOTE: The above checks must be carried out by a qualified person
Combustion fan & Convection fan operate but no ignition after approx 1 minute	ignition module is in lockout. Switch off power to unit for 1 minute to reset module Then turn on again. Unit should ignite after purge time NOTE: On initial light up this may occur a number of times until any residual air is purged from the gas line through the burner system. It is essential the required waiting time as stated in the manual is observed prior to attempting re ignition
After resetting ignition module, unit still not operating after 1 minute	Turn burner switch to "ON", fans will operate within 5 secs, listen for audible "click" first from ignition module, then from pressure switch. If no "click" heard contact service agent
Confirm spark is produced when heater is turned on	The ignition electrode should spark at the same time the gas control solenoid valve opens(after approx 1minute purge time). At this point the spark electrode will activate for up to 5 seconds. A blue spark can be seen when the heater ignition process starts, Ensure the spark is present between the electrode and burner.
If no spark is produced	Check the combustion fan & pressure switch are operating (there should be an audible click when the pressure switch makes contact). Providing the spill switch has continuity the electrode should spark and the gas valve open within 5 seconds of the completion of the purge cycle.

MAINTENANCE INSTRUCTIONS

Any maintenance required accessing the glass door of the unit must be performed by an authorized service person.

- 1) Always unplug the power cord before cleaning. For relighting, refer to lighting instructions. Keep the burner and control compartment clean by brushing and vacuuming at least once a year. When cleaning the logs, use a soft clean brush as the logs are fragile and easily damaged.
- 2) Clean glass (never when unit is hot), appliance, louvres, and door with a damp cloth. Never use an abrasive cleaner. The gold louvres (and optional gold door) may be scratched if abrasives are used to clean them.

The heater is finished in a heat resistant paint and should only be refinished with heat resistant paint (not with wall paint). Regency uses StoveBright Paint - Metallic Black #6309.

- 3) Make a periodic check of burner for proper position and condition. Visually check the flame of the burner periodically, making sure the flames are steady; not lifting or floating. If there is a problem, call an authorized service person.
- 4) The appliance and flueing system must be inspected before use, and at least annually, by an authorized field service person, to ensure that the flow of combustion and ventilation air is not obstructed.

During the annual service call, the burners should be removed from the burner tray and cleaned. Replace the embers - do not block the burner ports.

- 5) Keep the area near the appliance clear and free from combustible materials, gasoline and other flammable vapours and liquids.
- 6) Verify proper operation after servicing.

INSTALLATION AND REPAIR SHOULD BE DONE BY AN AUTHORIZED SERVICE PERSON. THE APPLIANCE SHOULD BE INSPECTED BEFORE USE AND AT LEAST ANNUALLY BY A PROFESSIONAL SERVICE PERSON. MORE FREQUENT CLEANING MAY BE REQUIRED DUE TO EXCESSIVE LINT FROM CARPETING, BEDDING MATERIAL, ETC. IT IS IMPERATIVE THAT CONTROL COMPARTMENTS, BURNERS AND CIRCULATING AIR PASSAGEWAYS OF THE APPLIANCE BE KEPT CLEAN.

DUE TO HIGH TEMPERATURES, THE APPLIANCE SHOULD BE LOCATED OUT OF TRAFFIC AND AWAY FROM FURNITURE AND DRAPERIES.

WARNING: FAILURE TO INSTALL THIS APPLIANCE CORRECTLY WILL VOID YOUR WARRANTY AND MAY CAUSE A SERIOUS HOUSE FIRE.

CHILDREN AND ADULTS SHOULD BE ALERTED TO THE HAZARDS OF HIGH SURFACE TEMPERATURES, ESPECIALLY THE FIREPLACE GLASS, AND SHOULD STAY AWAY TO AVOID BURNS OR CLOTHING IGNITION.



YOUNG CHILDREN SHOULD BE CAREFULLY SUPERVISED WHEN THEY ARE IN THE SAME AREA AS THE APPLIANCE. TODDLERS, YOUNG CHILDREN AND OTHERS MAY BE SUSCEPTIBLE TO ACCIDENTAL CONTACT BURNS. A PHYSICAL BARRIER IS RECOMMENDED IF THERE ARE AT RISK INDIVIDUALS IN THE HOUSE. TO RESTRICT ACCESS TO A FIREPLACE OR STOVE, INSTALL AN ADJUSTABLE SAFETY GATE TO KEEP TODDLERS, YOUNG CHILDREN AND OTHER AT RISK INDIVIDUALS OUT OF THE ROOM AND AWAY FROM HOT SURFACES.

CLOTHING OR OTHER FLAMMABLE MATERIAL SHOULD NOT BE PLACED ON OR NEAR THE APPLIANCE.

The unit should never be used with broken logs. Unplug the power cord and allow the unit to cool before opening door to carefully remove the logs. If for any reason a log should need replacement, you must use the proper replacement log. The position of these logs must be as shown in the diagram under Log Installation.

Note: *Improper positioning of logs may create carbon build-up and will alter the unit's performance which is not covered under warranty.*

DOOR GLASS REPLACEMENT

Your Regency stove is supplied with high temperature, 5 mm Neoceram ceramic glass that will withstand the highest heat that your unit will produce. In the event that you break your glass by impact, purchase your replacement from an authorised Regency dealer only, and follow our step-by-step instructions for replacement.

WARNING: do not operate appliance with the glass front removed, cracked or broken. Replacement of the glass should be done by a licensed or authorised service person.

Flush Glass Replacement

Slide old glass out of the side frames and replace with new glass.

GLASS GASKET

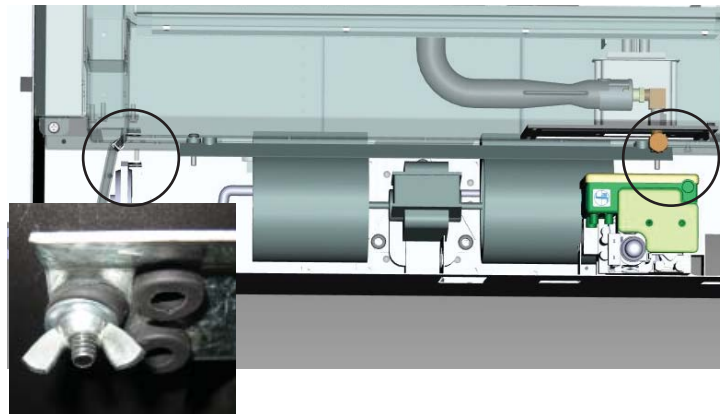
If the glass gasket requires replacement use glass gasket (Part # 936-233).

CONVECTION FAN REPLACEMENT

Before you start:

Ensure all power is turned off.

- 1) Turn the unit off and allow it to cool to room temperature,
- 2) Unplug or disconnect power source to stove.
- 3) Open the bottom louver.
- 4) Remove 2 wing nuts + washers securing fan - locations shown below.



- 8) Reverse steps to reinstall.

NOTE: It is essential that the two washers are re-fitted to the fan mounting bolts prior to fitting the wing nuts.

- 5) Unclip wires from base of unit and unplug fan.



- 6) Disconnect polarized plug.



- 7) Manoeuvre fan from base of unit and replace.



COMBUSTION FAN REPLACEMENT

Before you start:

Ensure all power is turned off.

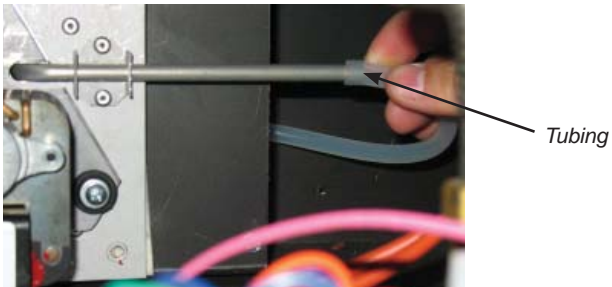
- 1) Turn the unit off and allow it to cool to room temperature,
- 2) Unplug or disconnect power source to stove.
- 3) Open the bottom louvre.
- 4) Remove convection fan - see previous page.
- 5) Remove 4 screws to release fan.



- 6) Disconnect polarized plug.



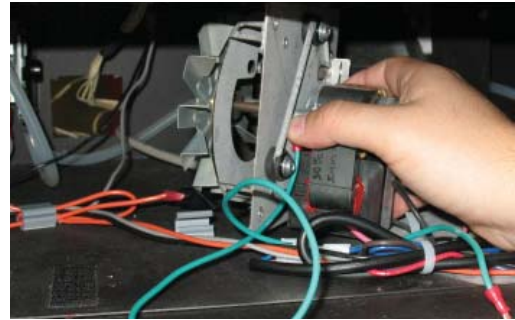
- 7) Disconnect tubing from right side of fan.



- 8) Disconnect ground wire.



- 8) Manoeuvre fan from base of unit and replace.



- 9) Reverse steps to reinstall.

PRESSURE SWITCH REPLACEMENT

Before you start
Ensure all power is turned off.

- 1) Disconnect wire leads and tubing on the switch.

NOTE: It is important to label wires and hose connections to ensure the new switch is hooked up in **the same manner.**

- 2) Remove the two screws on the mounting bracket.

Remove 2 screws



- 3) Slide switch out to the left side.
- 4) Remove switch and replace.
- 5) Reverse steps to complete installation.

VALVE ASSEMBLY REPLACEMENT

Before you start:

Ensure all power is turned off.

- 1) Turn the unit off and allow it to cool to room temperature,
- 2) Unplug or disconnect power source to stove.
- 3) Open the bottom louvre to access valve.



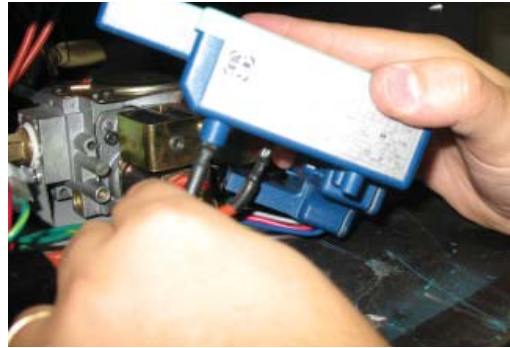
- 4) Remove screw in location shown below to release valve cover.



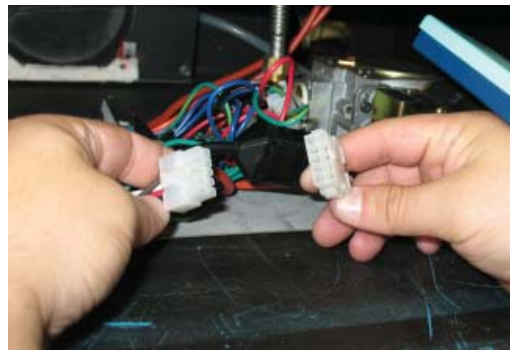
- 5) Partially lift out valve cover.



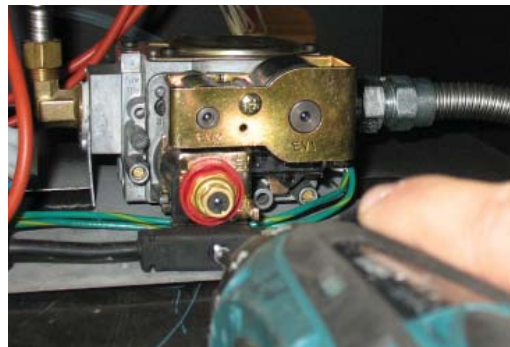
- 6) Disconnect wires.



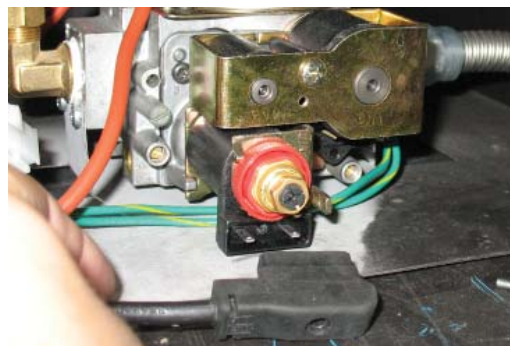
- 6) Disconnect wire harness plug.



- 7) Remove screw from rectifier,

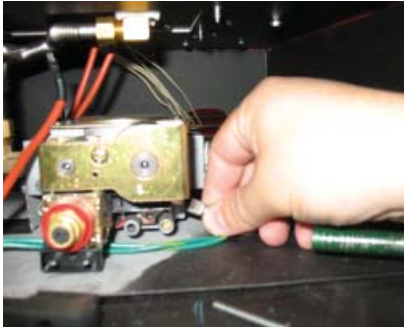


- 8) Unplug rectifier from valve.

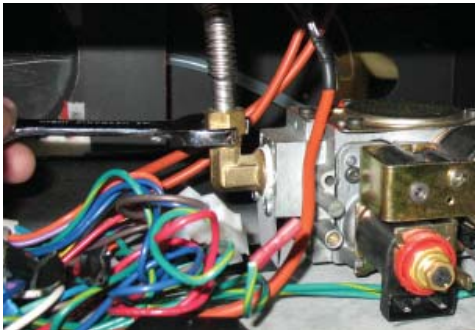


MAINTENANCE

9) Disconnect ground wire from valve.



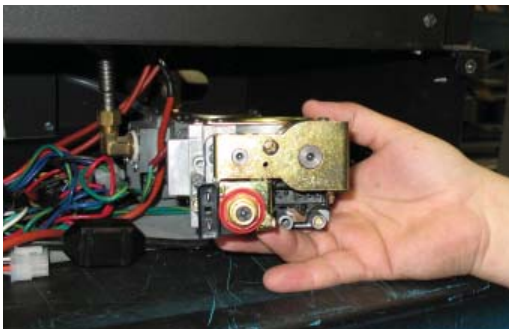
10) Disconnect connection from valve to burner.



11) Disconnect connection from valve to gas outlet.



12) Remove valve and replace.

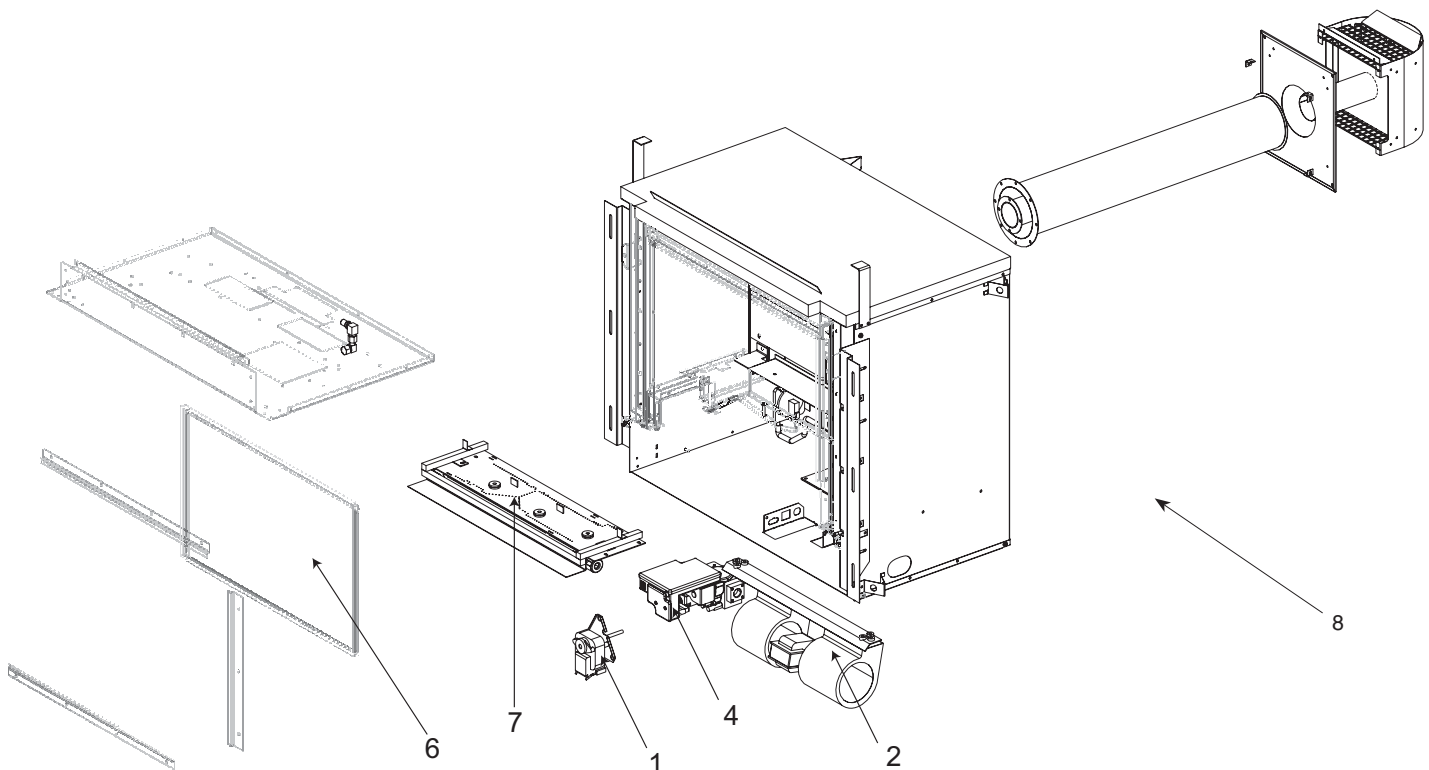


13) Reverse steps to reinstall.

MAIN ASSEMBLY

Part #	Description	Part #	Description
1) 911-056/P	Fan Combustion 240 Volt 50hz EU	910-082	Ignition Direct Spark Assy Electronic
2) 911-057/P	Blower 240 Volt Convection	456-005	Gasket Combustion Fan IP28
456-008	Tube Sensing Combustion Fan IP28	456-004	Gasket Valve Tray IP28
W190615	Thermodisc** 105C	911-047	Silicone Tubing
3) 456-968	LPG Conversion Kit**	936-232	Gasket Rope
4) 456-574/P	Valve Assembly NG	904-658	Inlet Flex Line Gas SS Steel 24 inch
456-578/P	Valve Assembly LP	910-088	Wire ECS Module Spark (Red)
5) 911-064	Valve NG/LP 843 Sigma	910-089	Wire ECS Module Flame (Red)
6) 940-367/P	Glass Neoceram Flush IP28	911-041	Wire Harness Ignition Module IP28
7) 456-525	Burner Assembly NG C/w Cap IP28	911-042	Wire Harness Valve Rectifier IP28
456-091	Baffle Plate IP28	911-044	Wire Harness Main Control IP28
911-040	Power Cord Assembly 240V IP28	911-059	Pressure Switch
456-001	Grate Assembly IP28	911-062	Step Modular Plug Sit
8) 456-044/F	Bracket side flange right / IP28	911-063	Ignition Board 45 Sec. Sit
456-049/F	Bracket side flange left / IP28	936-232	Door glass gasket (per 305mm)
		456-930	Log Set IP28
		918-938	Manual

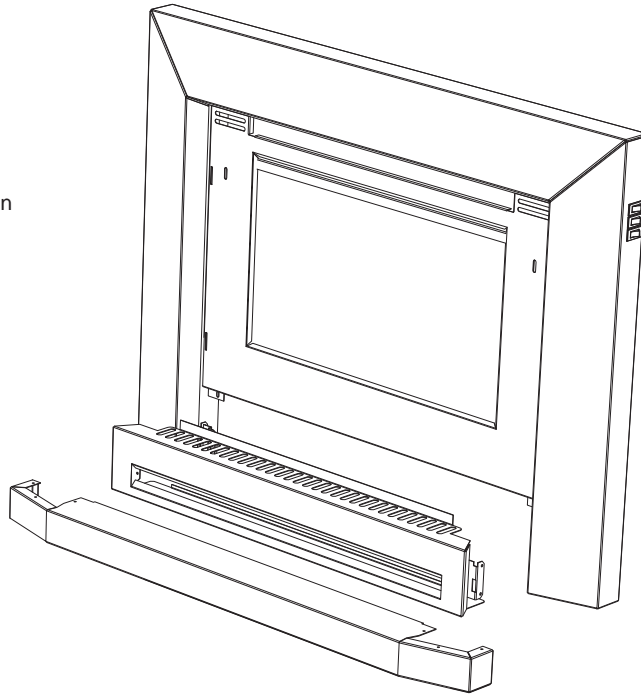
*Not available as a replacement part.
 ** Part not shown.



CONTEMPORARY FACEPLATE ASSEMBLY

Part #	Description
14) 456-914	Faceplate & Trim Complete - Regular
*	Faceplate Side Right IP28
*	Faceplate Side Left IP28
*	Faceplate - Top IP28
*	Plate Backing Faceplate IP28
911-043	Wire Harness Control Switch IP28
911-060	Switch Rocker TC201-TB-B On/Off/On
911-061	Switch Rocker TB201-TB-B On/None/On

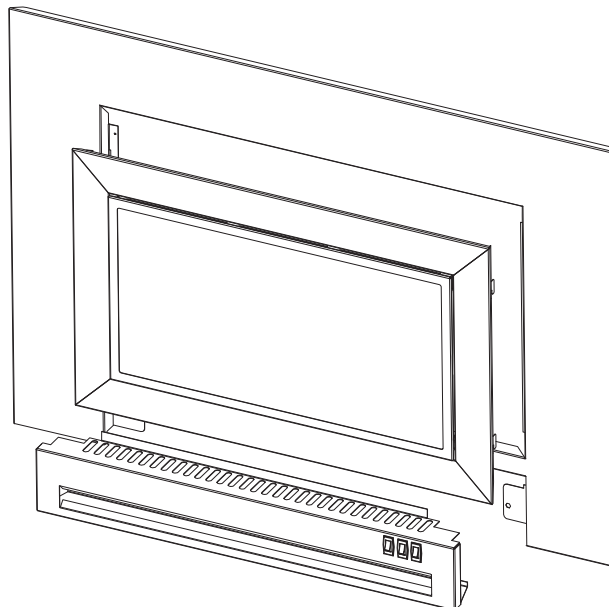
*Not available as a replacement part.



SLIM LINE FACEPLATE ASSEMBLY

Part #	Description
-	Door Bottom Access Slim F/P IP28
*	Frame Front Slim Faceplate IP28
*	Faceplate Front IP28
911-043	Wire Harness Control Switch IP28
911-060	Switch Rocker TC201-TB-B On/Off/On
911-061	Switch Rocker TB201-TB-B On/None/On

*Not available as a replacement part.



Regency® Fireplace Products are designed with reliability and simplicity in mind. In addition, our internal Quality Assurance Team carefully inspects each unit thoroughly before it leaves our door. Regency® is pleased to extend this limited lifetime warranty to the original purchaser of a Regency® Product.

The Warranty: Lifetime

Covered under the agreement are the following components: The combustion chamber, heat exchanger, burner tubes/pans, logs, glass crystals, ceramic spa stones, pebbles, brick panels and gold plating (against defective manufacture only) are covered under the Limited Lifetime Warranty for five (5) years for parts and labour and parts only thereafter.

External casting, surrounds and grills are covered against cracks and warps resulting from manufacturer defects, parts and labour for one (1) year from the date of purchase and parts only thereafter.

Special Finishes - One year on stainless steel panels, nickel overlays, nickel faceplates, brushed nickel and antique copper full screens and doors. You can expect some changes in color as the product "ages" with constant heating and cooling. Regency warranties the product for any manufacturing defects on the original product. However, the manufacturers warranty does not cover changing colors and marks, ie. finger prints, etc applied after the purchase of the product. Damage from the use of abrasive cleaners is not covered by warranty.

Electrical components such as fans, switches, ignition modules, wiring, thermodiscs, remote control, thermopiles, thermocouples and gas valves are covered for one year for parts and labour from the date of purchase.

The warranty on brass parts is for one year, no labour. The brass is not warranted against tarnishing.

Repair/replacement parts purchased by the consumer from Regency® after the original coverage has expired on the unit will carry a 90 day warranty valid with a receipt only. Any item shown to be defective will be repaired or replaced at our discretion. No labour coverage is included with these parts.

Conditions:

All installations must be performed by a qualified gas fitter and installed according to all applicable local and national codes. Also, all service work must be carried out by a qualified gas service person provided by the selling dealer. It is the responsibility of the installer to ensure that the appliance is firing as per rating plate. Any part or parts of this unit which in our judgement show evidence of such defect will be repaired or replaced at Regency®'s option, through an accredited distributor or agent provided that the defective part be returned to the distributor or agent **Transportation Prepaid**, if requested. In areas where there is not an approved service agent or the closest approved service agent is situated more than thirty (30) kilometres from the installation, Regency is not obliged to arrange warranty repairs and travel and/or additional labour charges will apply.

Porcelain/Enamel - Absolute perfection is neither guaranteed nor commercially possible. Any chips must be reported and inspected by an authorised dealer within three days of installation. Reported damage after this time will be subject to rejection.

It is the general practice of Regency® to charge for larger, higher priced replacement parts and issue credit once the replaced component has been returned to Regency and evaluated for manufacturer defect.

At all times Regency reserves the right to inspect product in the field which is claimed to be defective.

All claims must be submitted to Regency® by authorised selling dealers. It is essential that all submitted claims provide all of the necessary information including customer name, purchase date, serial #, type of unit, problem, and part or parts requested, without this information the warranty will be invalid.

Exclusions:

This limited Lifetime Warranty does not extend to or include paint, door or glass gasketing or trim. It does not cover installation and operational related problems such as over-firing, downdrafts or spillage caused by environmental conditions, nearby trees, buildings, hilltops, mountains, inadequate flueing or ventilation, excessive offsets, negative air pressures caused by insufficient make up air, mechanical systems such as furnaces, fans, clothes dryers etc.

Embers, rockwool, gaskets, door handles and paint are not covered under the terms of this warranty policy.

Regency® will not be liable for acts of God, or acts of terrorism, which cause malfunction of the appliance.

Performance problems due to operator error will not be covered by this warranty policy.

The warranty does not extend to any part or parts which show evidence of misuse or abuse, neglect, accident, lack of maintenance, or improper installation.

Products made by other manufacturers and used in conjunction with the operation of this appliance without authorisation from Regency®, may nullify your warranty on this product.

Regency shall in no event be liable for any special, indirect consequential damages of any nature whatsoever which are in excess of the original purchase price of the product. Any alteration to the unit which causes sooting or carboning that results in damage to the exterior facia is not the responsibility of Regency Fireplace Products.

SUBJECT TO CHANGE.

DISTRIBUTORS:	Western Australia Air Group Australia 28-30 Division St. Welshpool, WA 6106 08 9350 2200	Eastern Australia Fireplace Products Australia PTY. Ltd. 1-3 Conquest Way Hallam, VIC 3803 03 9799 7277
----------------------	---	--

NOTE: PLEASE RETAIN YOUR INVOICE AS PROOF OF PURCHASE FOR WARRANTY VERIFICATION

INCORRECT INSTALLATION OR GAS PRESSURE SETTINGS ARE NOT COVERED BY WARRANTY

A SERVICE OR CALLOUT FEE WILL BE CHARGED IN THESE CIRCUMSTANCES.

Register your Regency® warranty online

www.regency-fire.com.au



Reasons to register your product online today!

- View and modify a list of all your registered products.
- Request automatic email notification of new product updates.
- Stay informed about the current promotions, events, and special offers on related products.
- Help assure you get the most out of your warranty.
- Eliminate confusion and frustration if warranty** service is required in the future.

** Proof of purchase required at time of warranty request.

Installer: Please complete the following information

Dealer Name & Address: _____

Installer: _____

Phone #: _____

Date Installed: _____

Serial No.: _____